

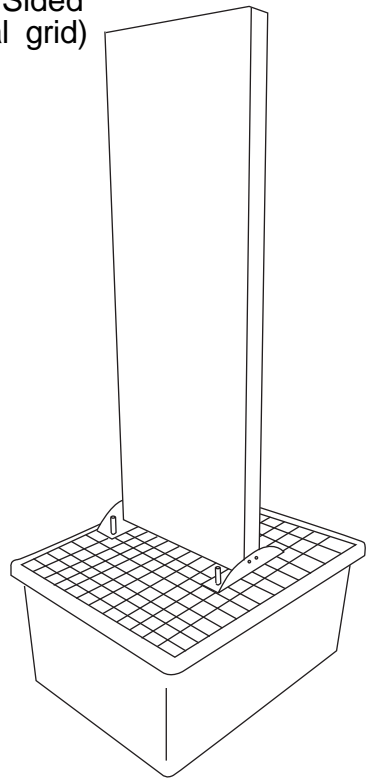
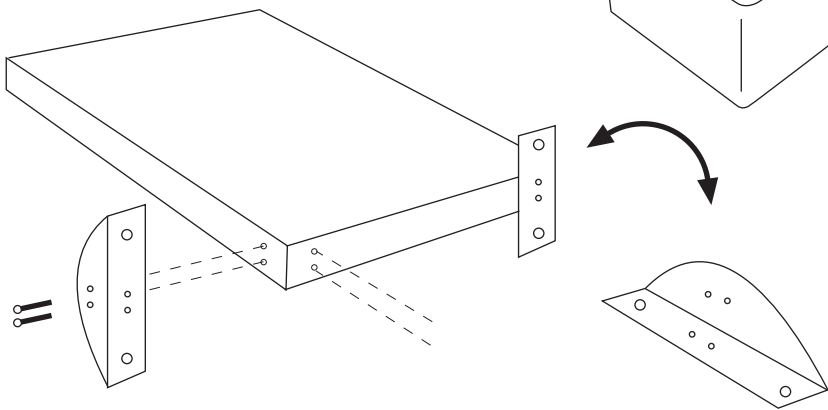


Primrose®
LOWE'S

Curved Wall- Vertical Wave Double Sided Instruction (Rectangular/circular metal grid)

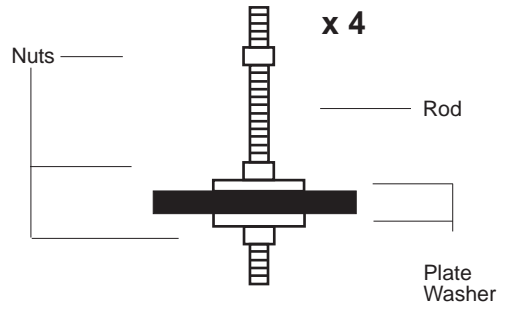
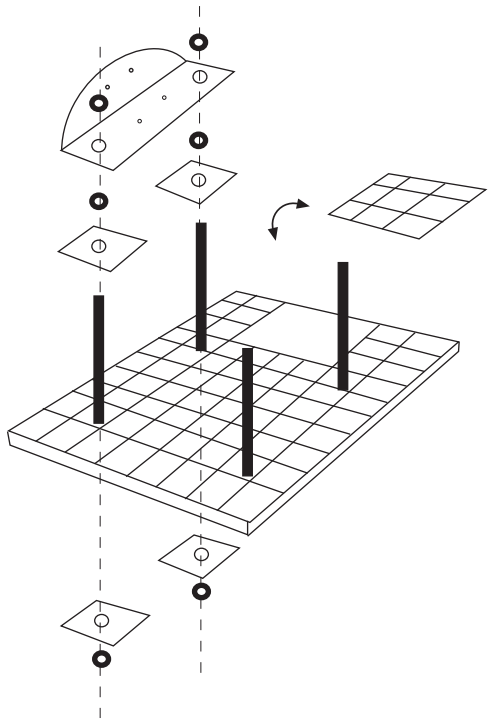
Contents

- 1 x Curved Wall
- 1 x Hose
- 1 x Pump
- 1 x Flow Adjuster
- 1 x Metal Grid
- 1 x Hose Clamp
- 1 x Rectangular Reservoir
- 2 x Steel feet
- 4 x Metal Rod
- 8 x Plate Washers
- 12x Nuts



Installation

1. Attach the two steel feet onto the bottom part of curved wall.
2. Place metal grid on top of rectangular reservoir.
3. Mark up the position of the feature on the metal grid. Lift the metal lid (small section) Bolt together the steel feet with the fixing kit. (Please view diagrams next page)



4. Lift the metal grid, place pump and hose in the reservoir. Fill the reservoir up with water.
5. Place pebbles (not included) over the metal grid to cover pump, steel feet etc..

Cross Section

