

Installation Instruction



**Acrylic Bubble Tube Water Feature with
Stainless Steel Base and Colour Changing
LED Lights – 1.3m & 2.0m**



Installation Instruction

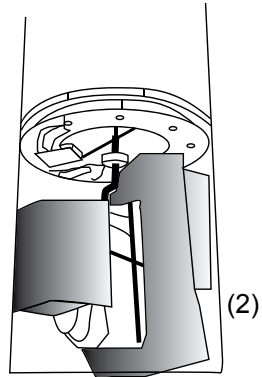
NOTE

This feature requires 2/3 people to assemble.

Step 1

Unpack all components carefully.
Please check to ensure all parts have been removed from the packaging.

- 1 x Acrylic Column with S/S Top Cover
- 1 x Stainless Steel Base
- 1 x Air-pump Kit (It has been fixed in the bubble tube)
- 1 x transformer



Step 2

Check that the air-pump and the black sponge is in place at the bottom of the column.

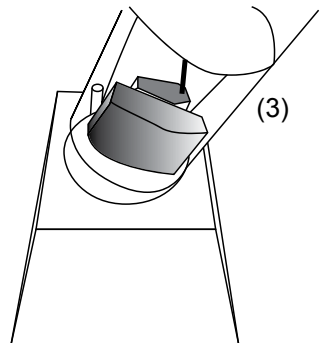
NOTE: THE BLACK SPONGE IS USED TO DAMPEN THE NOISE FROM THE PUMP, PLEASE DO NOT REMOVE IT.

Step 3

Insert the acrylic column into the stainless steel base.

NOTE: WHEN INSERTING THE COLUMN, DO NOT TAKE ALL OF CORDS OUT OF THE OPENING ON THE SIDE OF COLUMN.

Ensure that the acrylic column is level when placing into the stainless steel base.



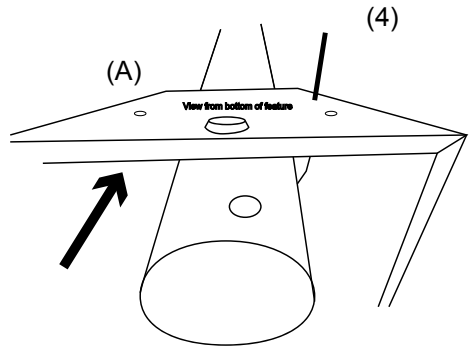


Acrylic Bubble Tube Water Feature with Stainless Steel Base and Colour Changing LED Lights – 1.3m & 2.0m

Step 4

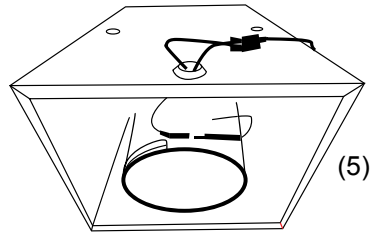
Gently insert the tube into the stainless steel base. There is a jubilee clip to secure the tube in place. To access the clip use the hole (A) to left of the base.

NOTE: DO NOT OVER TIGHTEN THE SCREWS AS IT MAY DAMAGE THE COLUMN.



Step 5

Thread the cables through the access hole found at the back of tube. Thread the transformer cable from the opening in the stainless steel base. Plug the air-pump tube and Light cable into the transformer separately. Connect to the power to test the connections and then turn off the power.



Step 6

Remove the top cover of the column and fill with clean water.

Plug* in the transformer to the power supply.

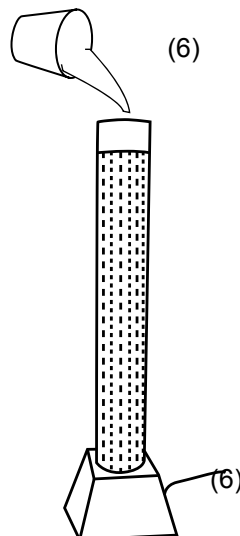


Make sure the air-pump is dry at all times.

Must be used for indoors only.

MAINTENANCE

Please ensure you maintain the feature by replacing the water once every three months.



*Plugs not always supplied with feature

Congratulations on your purchase!

We sincerely hope you are satisfied with your new product.

If you like this feature why not look at the rest of our range of bubble water features.



Code: F3985

**Bubble Water Wall Hanging
With Colour Changing LED
Lights**

1M – Stainless Steel Frame



Code: F3982

**Bubble Water Wall With Colour
Changing LED Lights**

1.84M - Stainless Steel Frame



Code: F3983, F3984

**Bubble Water Wall With
Colour Changing LED Lights**

1.23M, 1.5M



For more information:

Web: www.ambientewaterfeatures.co.uk

Address: Ambienté – Fynzi Limited, 173 Curie Avenue, Didcot, OX11 0QG

Phone number: UK: 0800 161 3832 Int: +44 (0)2087 785 612

Email: info@ambientewaterfeatures.com

F7009, F7010