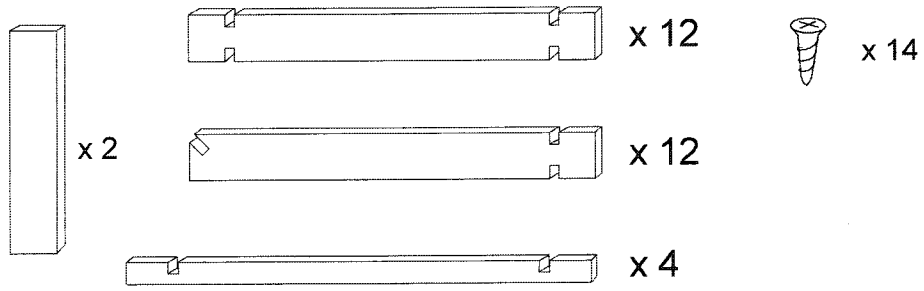
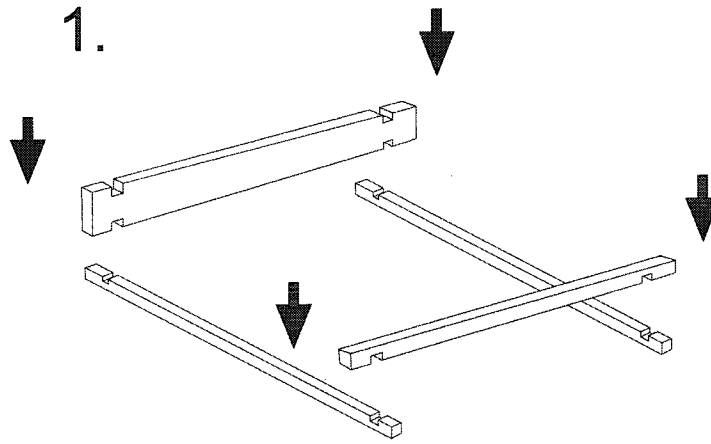




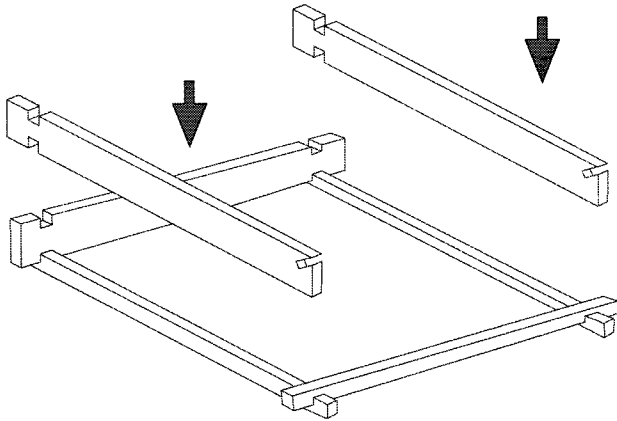
# Compost bin assembly instructions



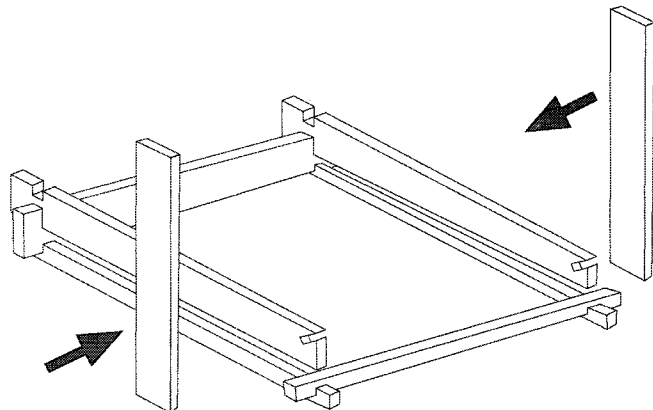
1.

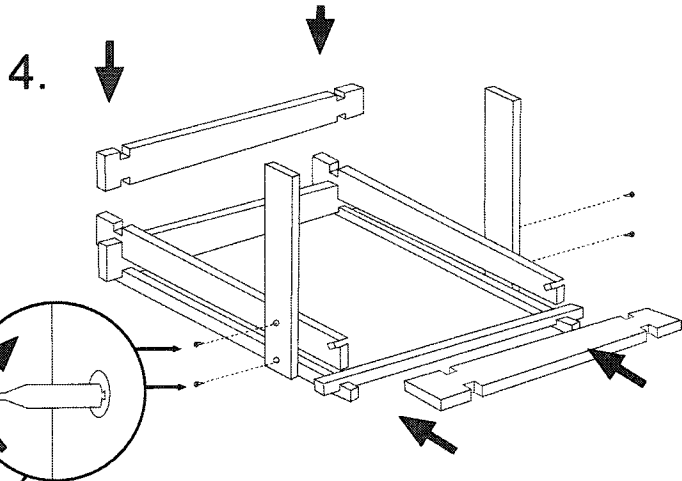


2.

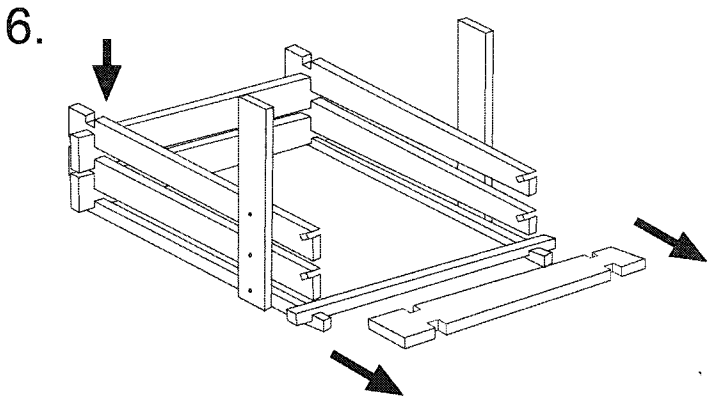
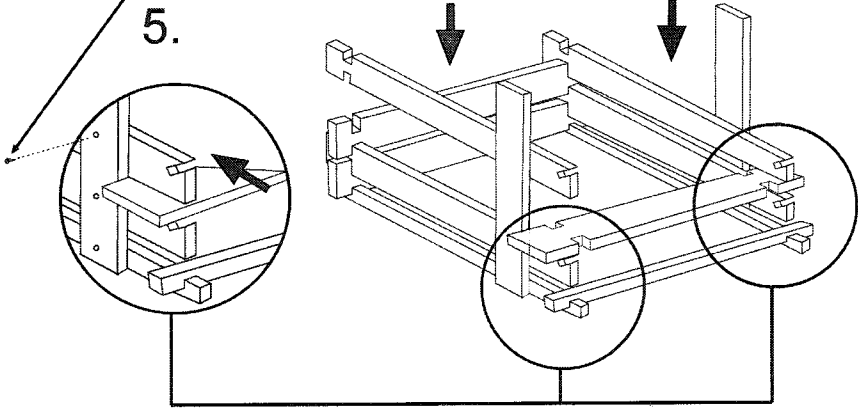


3.





Use front slat as spacers



7. Repeat steps 4,5,6 ( x 4 ) which will look at below and add this last 6 slats to completely assemble the compost bin.

