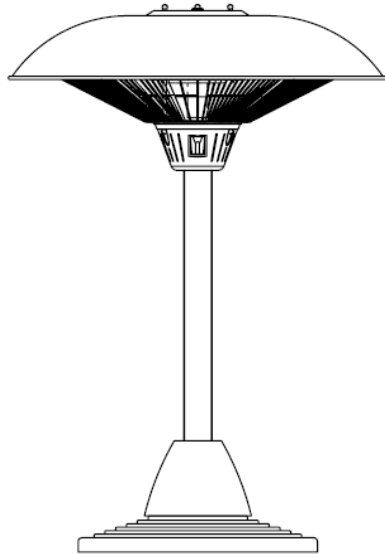




Instruction Manual

Electric Patio Heater

Model:OL3461



**Please read these instructions carefully before using
your new halogen heater**

Unpack the halogen heater making sure that all the items are present and that there are no components left in the box and that the heater head is free from any packing material.

Using the detailed drawing follow the steps to assemble your halogen heater.

Do not connect the halogen heater to the electrical supply until all the assembly is complete.

Do not connect the halogen heater to the electrical supply if any of the components or the power cord is damaged in any way.

Assembling Process

Step 1: Fix the Tube to the base using 3pcs M6*50 bolts.

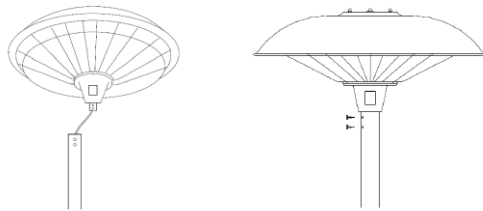


Step 2: Place the Decoration Cover onto the Tube.

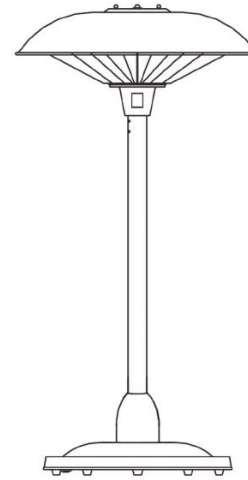
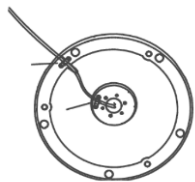


Step 3: Feed the Power Cord through the Base and the Tube.

Step 4: Push the Heater Head onto the Tube and fix in position using the M4*8mm screws.



Step 5: Fix the Power Cord on the Base by using 4*15mm screws.



Complete!

Caution

Only use the halogen heater on a firm solid horizontal area where all the feet on the base are in contact with the floor. (Should the heater be tilted or fall over the auto cut off switch will activate)

1. Site the heater outside or in a large open area and well away from any obstructions such as branches or where the heater is near any objects that can be effected by heat, such as furniture, curtains or other inflammable objects (minimum distance 1 metre).
2. Do not use this heater in the immediate surroundings of a bath, a shower or a swimming pool.
3. Do not use in unventilated areas
4. Do not use where gas, petrol, paint or other inflammable goods are stored.
5. Do not push any items through, obstruct or cover the grill of the heater head.
6. Do not position immediately above or below an electrical socket.

7. Do not move when connected to an electrical supply and always wait for the patio heater to cool down before storing away.
8. Do not touch the heater head when in use.
9. Do not leave turned on and unattended especially when children and or animals are in the vicinity.
10. The indication of the different positions of switches shall be visible from a distance of 1M.
11. The Marking concerning covering shall be visible after the heater has been installed. It shall not be placed on the back of portable heaters.
12. The unit must be correctly installed according to the instructions. Make sure the head is at least 1.8m from the floor.
13. The unit must be securely placed on a horizontal and flat surface.
14. The unit is at high temperature during operation. It keeps hot for a period after shut down. Potential danger would occur when touching it during this period.
15. Don't place the unit closed to curtain and/or other flammable objects. Otherwise there will be a danger of catching fire.
16. Don't cover the unit with anything during operation or a short time after it's shut down.
17. Don't wrap the power supply cord on the unit.
18. The unit must be handled with care, and avoid vibration or hitting.
19. The unit must be securely grounded during operation.
20. If the unit gets damaged, it must be repaired by professional electricians.
21. When the power supply cord is damaged, it must be replaced by authorized agent or other professional people to avoid danger.
22. The unit must not be positioned under a socket.
23. When assembling, keep clear from any board or flammable material.
24. The unit must be supervised by adults if it's used by a child.
25. It is not safe to install the unit by a swimming pool, in a bathroom or shower area.
26. The unit is for household use only. It is not safe to use on a building site, greenhouse, barn or stable where there's flammable dust.
27. The head of the unit is at high temperature during operation. Unplug the unit and wait till it cools before cleaning.
28. Don't use this unit in place where causticity or volatile air exists, i.e. dust, steam, gas, etc.
29. Don't use this unit as a cloth drier or towel drier.
30. Don't use this unit as a sauna heater.
31. Don't use this unit as a room heater.
32. Don't use this unit in place of animal propagating and raising.
33. Don't immerse this unit into water for cleaning.
34. The unit should be plugged in a socket, which is easily visible and reachable.
35. Two Dark points may exist on the surface of the heating elements during the first few minutes after it is turned on. This is normal, and will not affect the performance of the unit.
36. A tilt switch is fitted inside the unit for safety purpose
37. The Wheels are only for the purpose of moving the Heater, once the Heater is in the right position, the wheels should be removed for safety purpose.
38. Do not use this heater with a programmer, timer or any other device that switches the heater on automatically, since a fire risk exists if the heater is covered or positioned incorrectly.
39. This appliance is not intended for use by persons (including children) with reduced physical. Sensory or mental capabilities, or lack of experience and knowledge, unless they have been

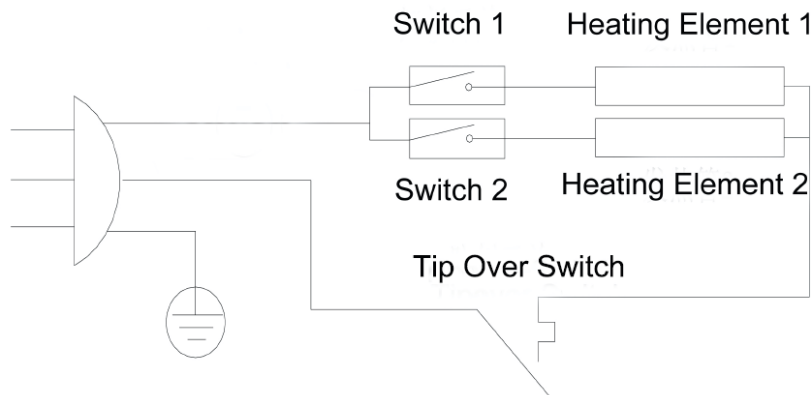
given supervision or instruction concerning use of the appliance by a person responsible for their safety.

40. Children should be supervised to ensure that they do not play with the appliance.

Operation

Connect the power cable to a 13 amp supply that is located in a safe, dry area.

- The switch on the heater head is used to control the three heat setting. (I) for 900w – (II) for 1200w – (I&II) for 2100w. The 0 position is off.
- Although the patio heater is shower proof, do not use when raining or in wet conditions.
- Always disconnect the power cable from the electrical supply, when the patio heater is not in use.



Care and maintenance

- When disconnected from the electrical supply, clean the outside of the patio heater with a damp cloth. Never use corrosive or solvent cleaners or immerse in water.

- Any maintenance or repairs including replacing the halogen tube should only be carried out by a qualified electrician or by a recommended service center.

Technical specification

- Power supply 230V 50Hz
- Wattage max 2100w
- Net weight 9.4kg
- Insulation class I
- Height 110 cm

If in doubt contact your supplier.

Primrose London

info@primrose.co.uk

Tel:0118 9035210(UK)

Tel:0044 118 9035210(outside of UK)