

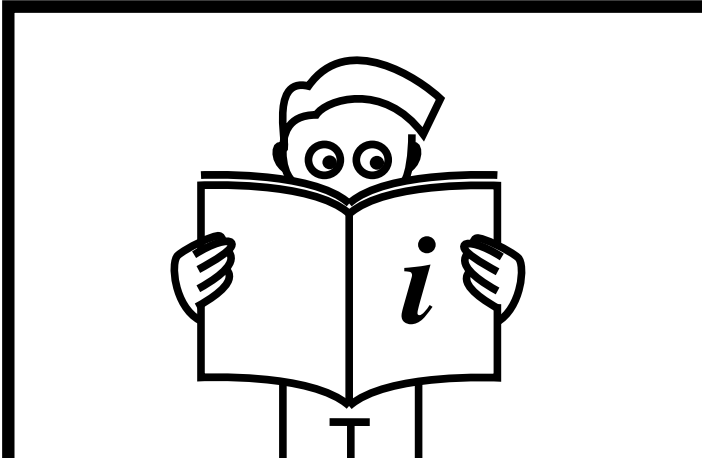
BBQ Rio Crystal

BANQUET

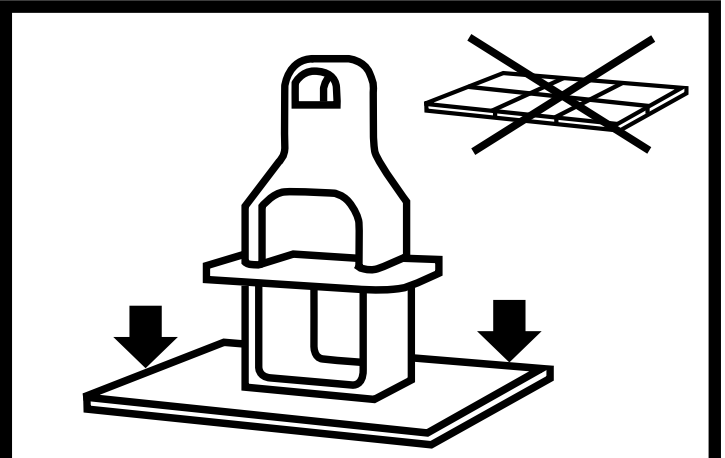
BARBECUES

™

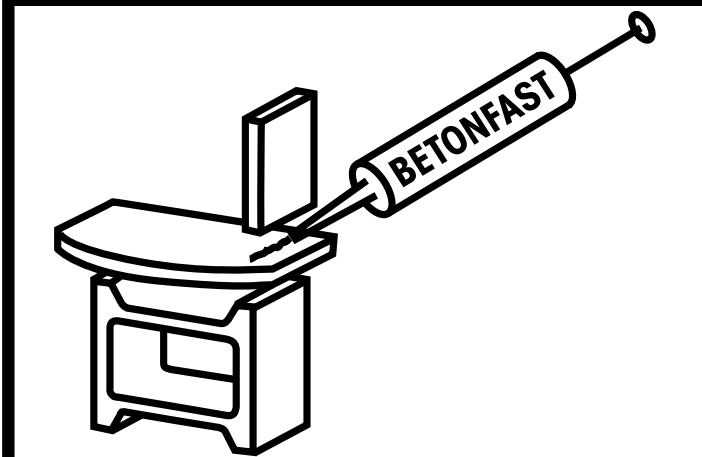




> Read the manual for installation and use.



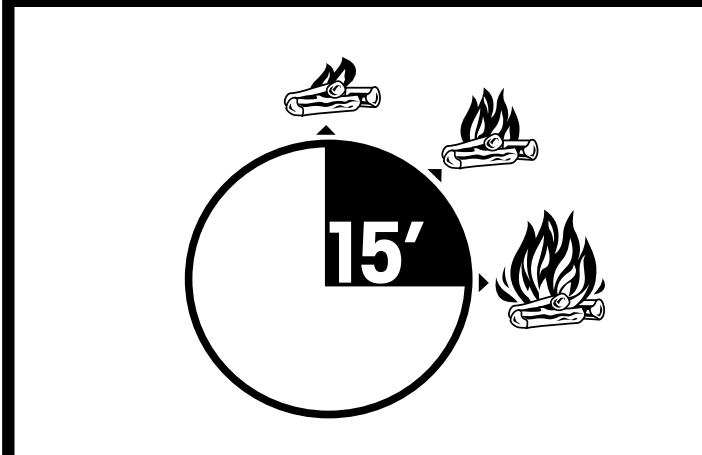
> Assemble the barbecue on a base suitable for sustaining the weight.



> Fix the pieces together with **BETONFAST**® glue.



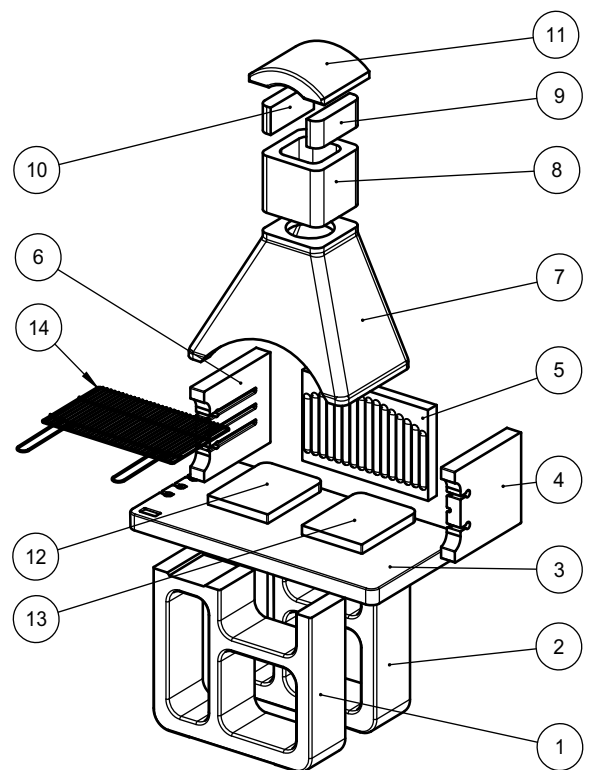
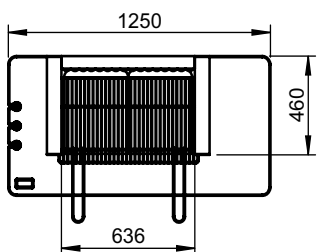
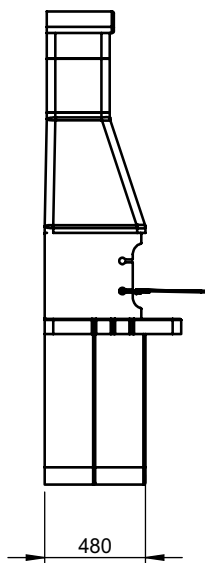
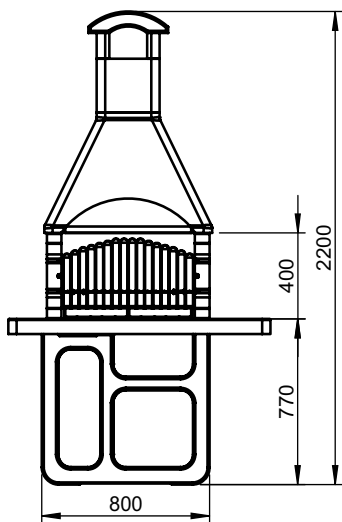
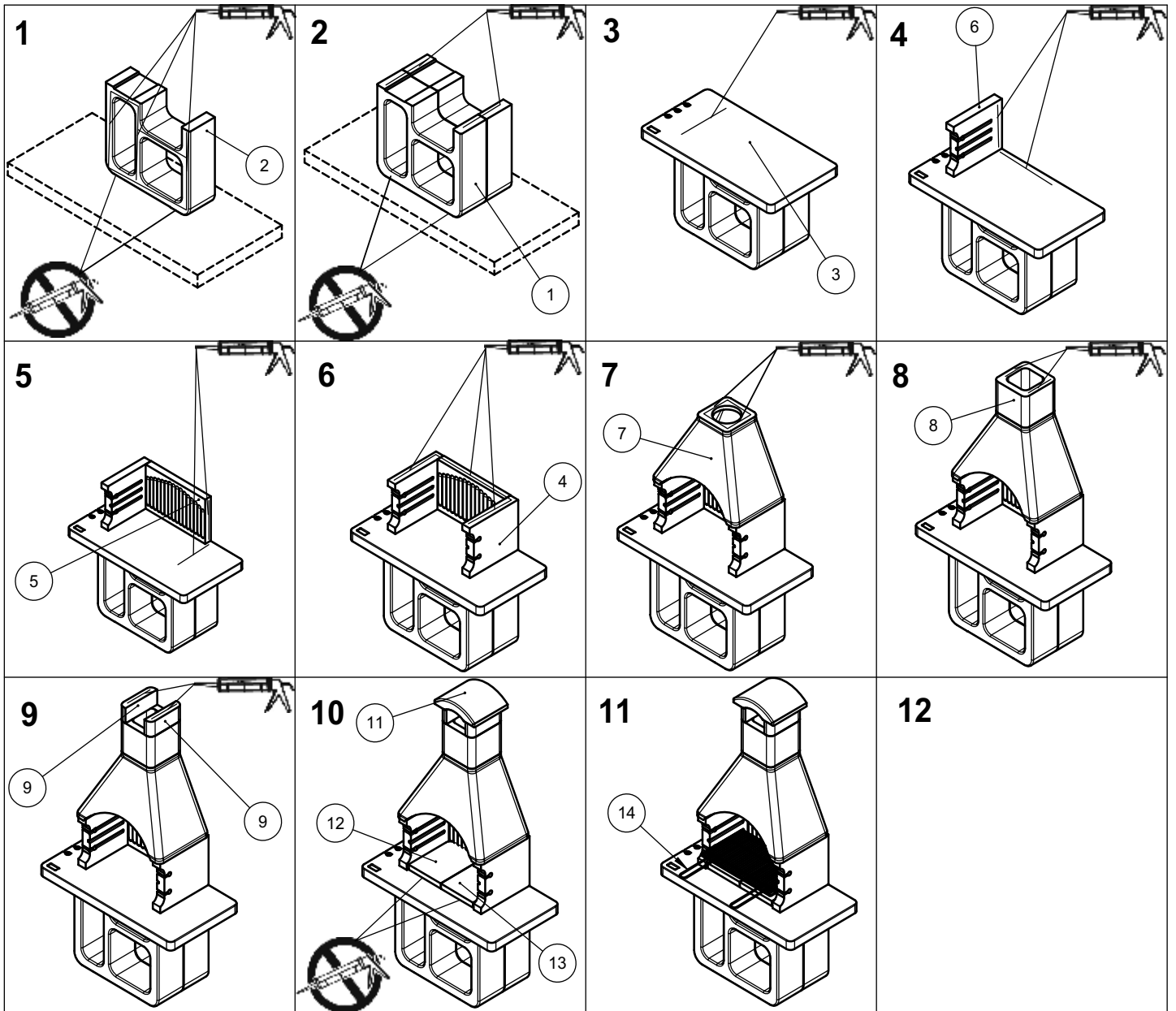
> Use max 3 kg of wood per load.



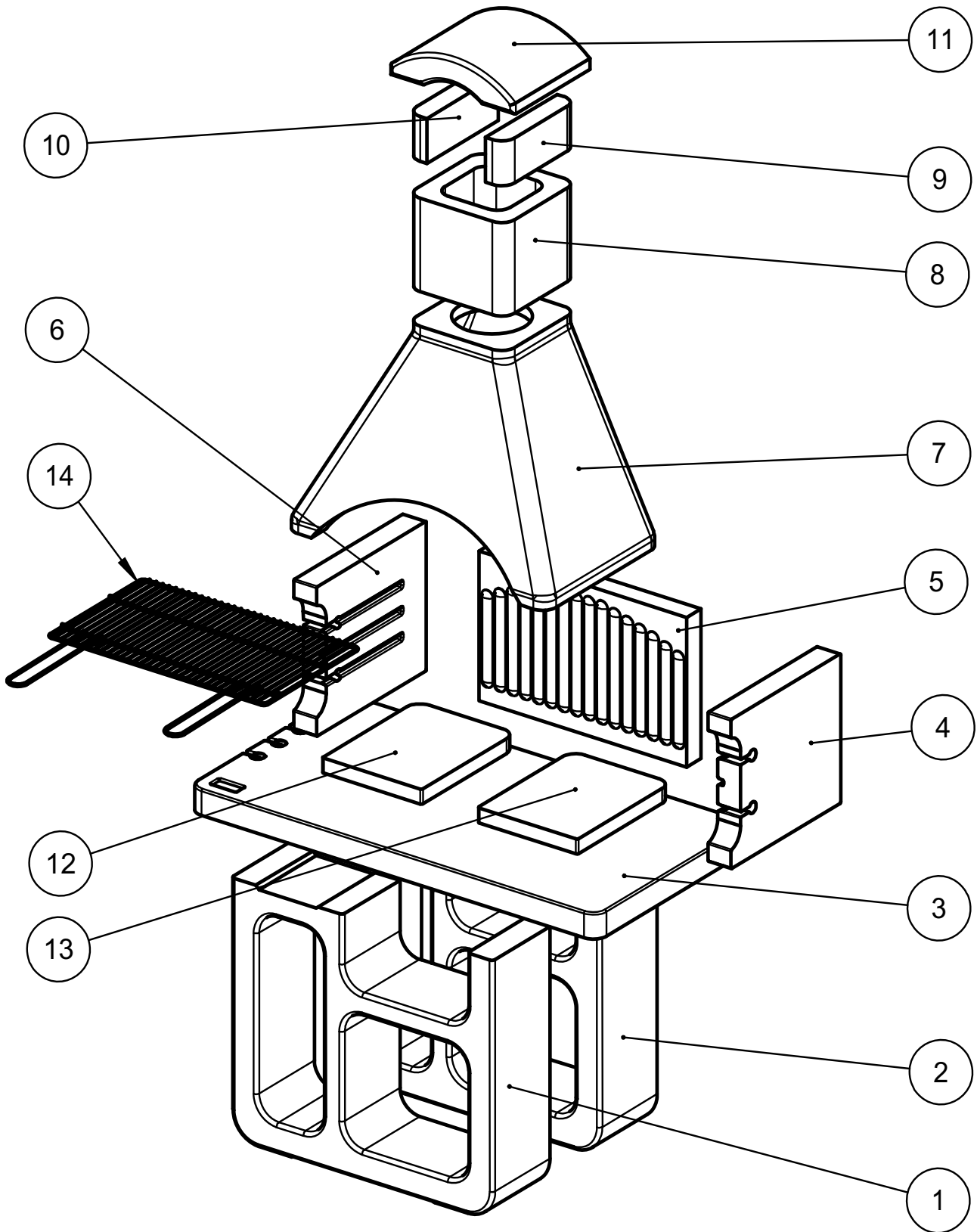
> Light the fire slowly and gradually.



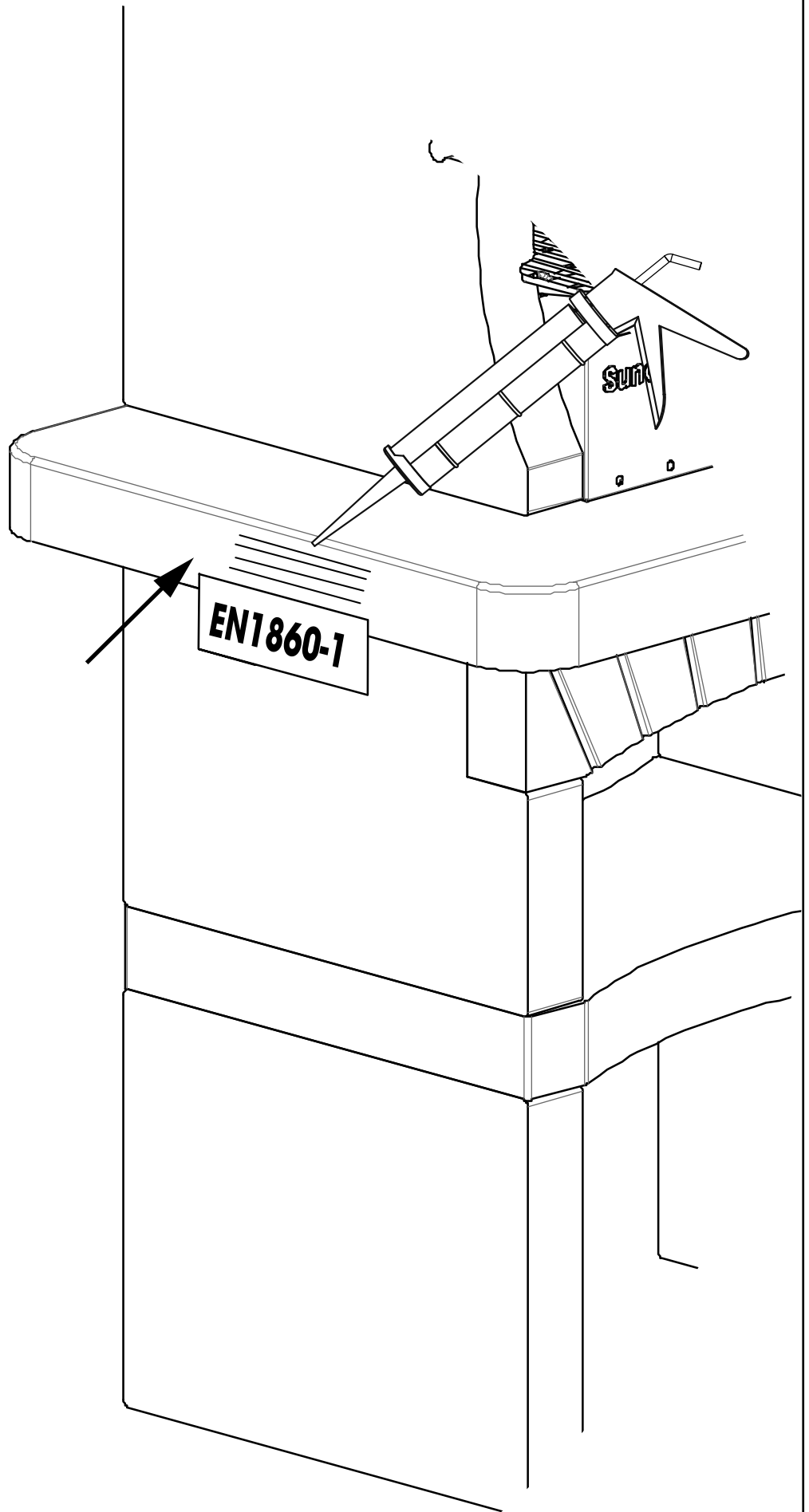
> Protect the barbecue during winter and when not in use.



- 1+2 BASE
- 3 WORK TOP
- 4/6 SIDE
- 5 BACKSIDE
- 7 HOOD
- 8 FLUE
- 9+10 CHIMNEY CAP SUPPORT
- 11 CHIMNEY CAP
- 12+13 FIRE BRICKS
- 14 CHROMIUM PLATED GRILL 67x40



BARBECUE WARNINGS LABEL:
Apply with Betonfast glue in the position
shown in the figure.



Dear customer,

Thank you for choosing the Barbecue SUNDAY®: a high quality product that, when assembled and used according to the instructions contained in this manual, remains resistant to strains caused by fire and weather conditions over a long period of time.

Enjoy your barbecue and... bon appetit!

A) ASSEMBLY INSTRUCTIONS

The barbecue is a product that is to be used exclusively outdoors and should not be assembled indoors, it should also be positioned far from trees, plants and other inflammable material.

Materials required for assembly: SUNDAY® BETONFAST® high elasticity glue for built-in barbecues or another high elasticity glue for built-in barbecues. Glues must have a minimum temperature resistance of 200 °C. We recommend that you use BETONFAST® glue as it guarantees the highest level of performance and safety in comparison with other products on the market. It also allows you to dismantle the components if necessary.

Read the warnings shown on the glue packaging carefully before use.

It is absolutely prohibited to use any type of glue other than those indicated above. These include, for example, high resistance and quick hardening cements (white cement, aluminous cements, refractory cements or tile glue). This is because these types of glue do not allow thermal expansion of the elements, producing a tension that may cause components to crack or in some cases break.

1. Check that the correct number of components is included and that they are in tact. If any components are missing or faulty do not use the product. Request a replacement component **before beginning to assemble the product.**
2. You **MUST** position the barbecue on a cement support base that is able to support the weight of the barbecue. The base must be perfectly level with completely flat surfaces. If the product is to be fitted on a terrace or similar structure it is essential that you check the floor capacity with a specialist prior to installation.
The bbq must not be cemented/glued to the base/floor so that it can expand as the heat increases. If the product is assembled near to a building, do not position or glue the barbecue onto walls. This is to allow components to expand during use. A distance of at least 10cm must also be maintained between the work surface and walls to allow proper ventilation.
3. **PAY ATTENTION** when removing the packaging straps as **components may fall and cause damage to persons and objects.**
4. Glue the components to each other to secure them and make them completely stable, following the numbering shown in the diagram. Do not exceed the amount of glue indicated. This is to avoid creating areas that are too resistant to expansion, particularly in the area of the combustion chamber. A strip of glue between two adjoining surfaces is sufficient.
Only two parts of the flue pipe may overlap. This prevents excessive weight from being placed on the hood. Follow the numeric sequence, measurements, tolerances and times indicated. If the combustion chamber is composed of three parts, check that they are at the correct distance by inserting a cooking grille as a test.
5. **The accessories (depending on the versions: refractory shelves, EASY FIRE®, grilles, ash drawers, etc.) are never glued.**
6. **The elements that form the barbecue's base, hood, flue and chimney pot must be painted to protect them from atmospheric agents and to prevent the components from breaking,** (special SUNDAY® paints are recommended). You are advised to apply the first coat with brush, diluting the paint with 5% water. You can apply the second coat using a paint diluted by 10%. Use the roll to achieve a "textured" finish. You may choose to shave off the outer surfaces with a thin layer of semi-liquid mortar before painting to cover any roughness.
7. **Once all of the operations have been completed, wait at least 24 hours before inserting the accessories and using the barbecue.**

NOTE: some efflorescence (white stains) can sometimes appear as calcium hydroxide moves to the surface and combines with carbon dioxide in the atmosphere. These natural blemishes can be simply washed off using water and a soft brush. It may be necessary to perform this operation several times.

Colour shades may vary due to the natural colouration of materials used. Therefore, differences in colour shades between components/ products made from the same material do not constitute grounds for complaint.

B) USE AND MAINTENANCE OF THE BARBECUE

GB

The Barbecue has been designed for cooking food products only. It is not intended for use as a heating appliance. The product must therefore not be used to burn any type of household or garden waste or materials

The first time that the Barbecue is used, keep it lit with the grille inserted for at least 30 minutes before beginning to cook.

Each time fuel is ignited it must be done slowly and gradually, avoiding flaming. This aids the gradual elimination of any moisture that may have been absorbed by the structure due to weather conditions and allows slow and completely safe thermal expansion of the components.

We advise you to begin preparing the embers approximately 30 minutes before cooking food.

When the embers are almost ready, distribute them evenly on the fire plane and insert the grille in the appropriate furnace housing to allow it to heat up prior to cooking.

“Do not cook before the fuel has a coating of ash”

“WARNING! This barbecue will become very hot.

“Do not use indoors!”

“WARNING! Do not use spirit or petrol for lighting or relighting! Use only firelighters complying to EN 1860-3.”

“WARNING! Keep children and pets away.”

IMPORTANT: the maximum quantity of charcoal or wood per load is limited to 3 kg.

Do not reload the barbecue until the previous load has been completely consumed

When using the barbecue always use protective gloves and tongs. Let the barbecue cool down before cleaning it.

Do not use water or other fluids to extinguish the fire. Do not throw water or other fluids onto the barbecue when it is hot.

Do not leave the barbecue unattended during use. Always use the barbecue with extreme caution.

The fireplace of the Barbecue is built from the highest quality refractory materials. When the fireplace is subjected to heat from fire, it may expand and in some cases microcracks can be caused by temperature changes. These microcracks are not a manufacturing defect of the product and do not compromise the stability of the structure.

To protect the barbecue and any accessories made of wood or steel as much as possible from atmospheric agents during winter or when not in use, you are advised to cover it with a sheet of waterproof material to prevent premature deterioration (these are available in various sizes from the SUNDAY® accessories catalogue).

Keep the fire plane and, if included, the ash draw clean.

Grilles can be cleaned after use with the dedicated Barbecue brush which can be purchased separately from the SUNDAY® accessories catalogue.

To aid cleaning, we recommend that you clean grilles while they are still lukewarm. Once remaining residues have been removed, grilles can also be cleaned using an ordinary sponge soaked in lukewarm water and kitchenware detergent.

ALL RESPONSIBILITY IS DECLINED FOR FAILURE TO COMPLY WITH ALL OR PART OF THE INSTRUCTIONS CONTAINED IN THIS DOCUMENT. NO FORM OF GUARANTEE SHALL BE RECOGNISED FOR ANY SUCH FAILURE.

In accordance with standards in force, the warranty covers the replacement of faulty individual parts and NOT THE ENTIRE BARBECUE.

Final notes:

Sizes are indicative and may be subject to variation.

Wooden parts of the packaging, cardboard, polystyrene and the plastic sheet must be taken to appropriate material recycling centres. Do not disperse these materials into the environment.