

Before assembly

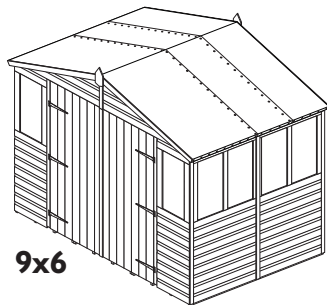
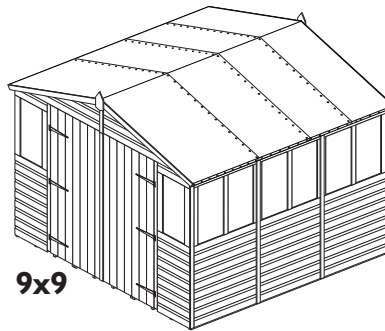
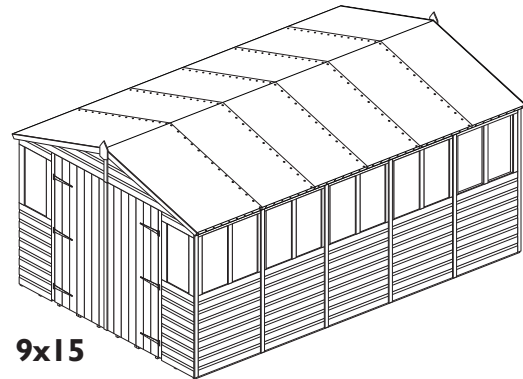
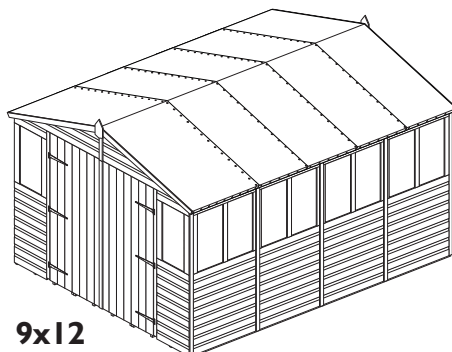
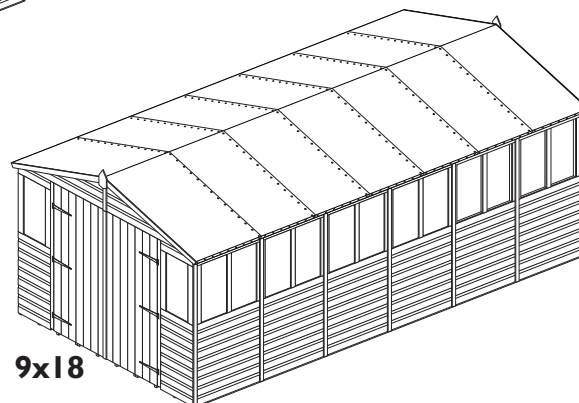
- We recommend that time is taken to read the instructions before starting assembly, then follow the easy step by step guide. The instruction sheet is only a guide to the assembly. Certain items may not be shown to scale.
- Check all components prior to assembly
- This product should be assembled by no less than two people.
- Never attempt to erect the assembly in high winds.
- Drill components where indicated.


Recommended tools for assembly

- Cross head screw driver
- Hammer
- Sharp knife
- Drill
- 4mm diameter drill bit
- 22mm diameter drill bit
- Saw
- tape measure
- Spirit level
- Silicon sealant
- Step ladder

Building size
9x6
9x9
9x12
9x15
9x18
Assembly code
SS209C
SS210C
SS211C
SS212C
SS213C
Important Note

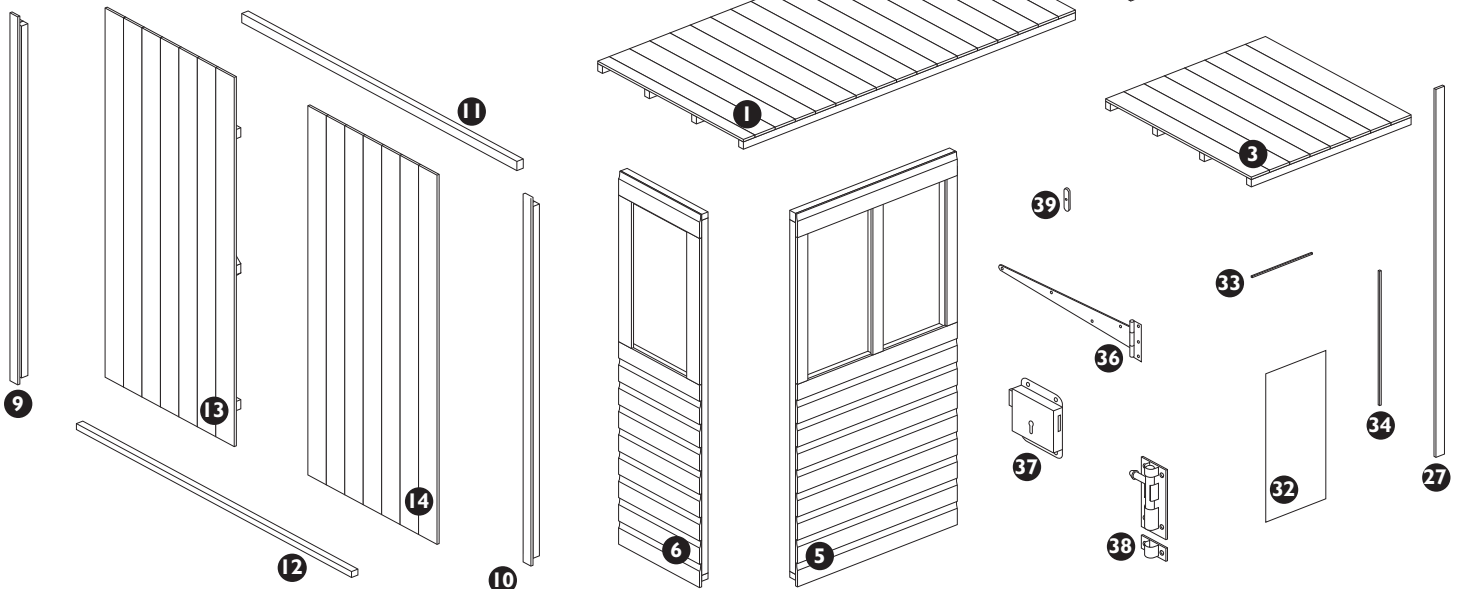
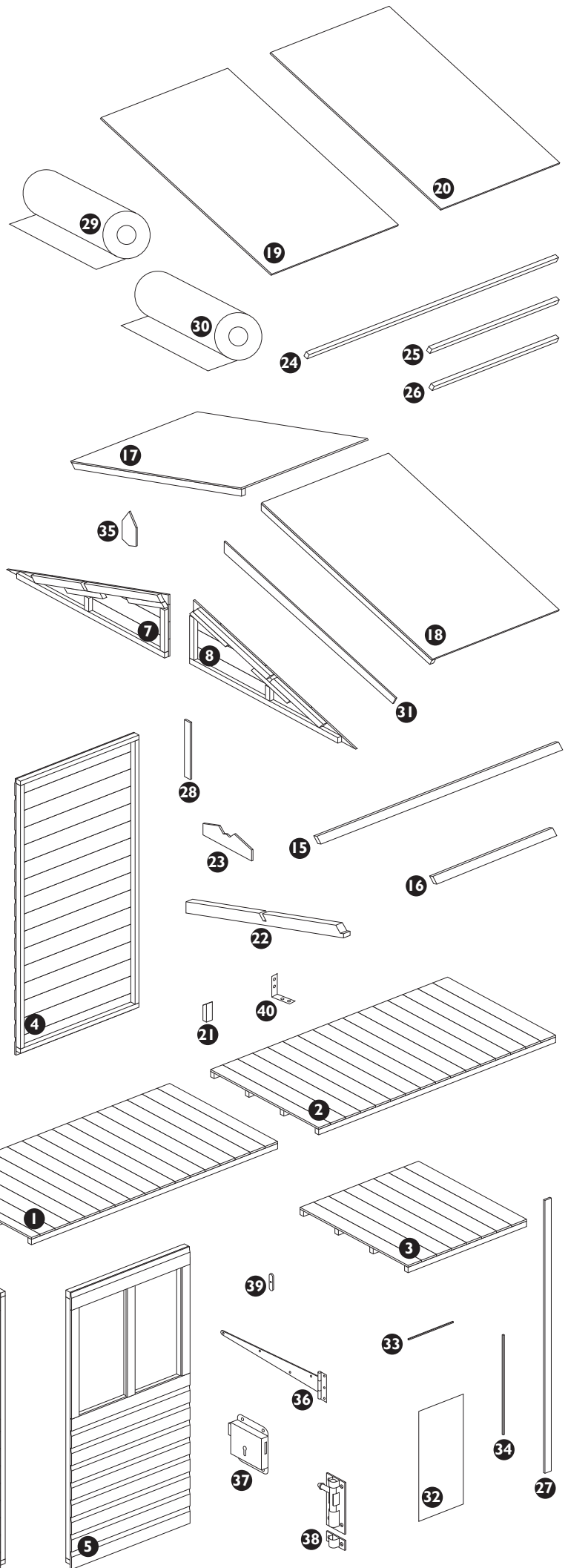
This instruction shows the assembly of a 9x12 building with additional information in each section that relates to other size buildings.


9x6

9x9

9x15

9x12

9x18

Building Components

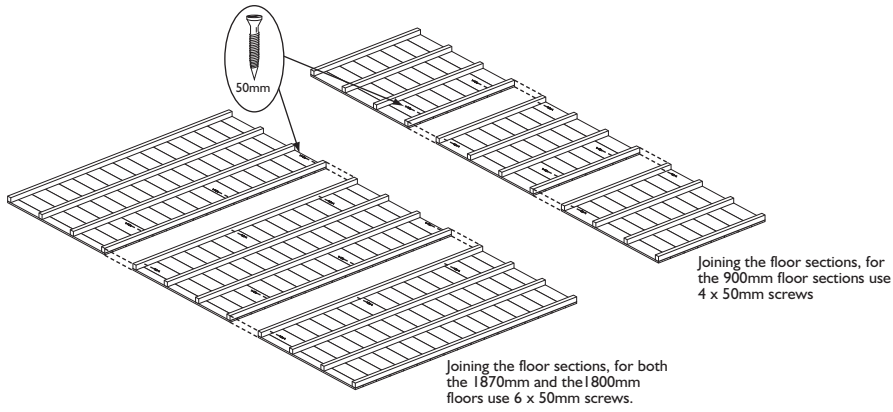
No.	Components	9x6	9x9	9x12	9x15	9x18
1	Floor sections (900x1870mm)	3	3	3	3	3
2	Floor sections (900x1800mm)			3	3	6
3	Floor sections (900x 900mm)		3		3	
4	Plain panel	5	6	7	8	9
5	Window panel	2	3	4	5	6
6	Front panel	2	2	2	2	2
7	Front right/back left apex panel	2	2	2	2	2
8	Front left/back right apex panel	2	2	2	2	2
9	Left door frame upright	1	1	1	1	1
10	Right door frame upright	1	1	1	1	1
11	Door frame top rail (45x29x1700mm)	1	1	1	1	1
12	Door frame bottom rail (36x29x1700mm)	1	1	1	1	1
13	Left door	1	1	1	1	1
14	Right door with bolt mounting blocks	1	1	1	1	1
15	Roof purlin (45x29x1835mm)	4	4	8	8	12
16	Roof purlin (45x29x935mm)		4		4	
17	Left front Roof panel (11x1470x962mm)	1	1	1	1	1
18	Right front Roof panel (11x1470x962mm)	1	1	1	1	1
19	Roof panel (11x 1470x962mm)	2	2	2	2	2
20	Roof panel (11x 1470x900mm)		2	4	6	8
21	Support blocks		2	2	4	4
22	Centre purlin support		2	2	4	4
23	Gusset		2	2	4	4
24	Felt battens (36x29x1800mm)			2	2	4
25	Felt battens (36x29x947mm)	4	4	4	4	4
26	Felt battens (36x29x900mm)		2		2	
27	Coverstrips (12x48x1802mm)	9	11	13	15	17
28	Apex coverstrips (12x48x375mm)	2	2	2	2	2
29	Roof felt roll (10m)	1	1	1	1	1
30	Roof felt roll (4m)		1	2	3	4
31	Bardgeboards	4	4	4	4	4
32	Acrylic window (735x370mm)	6	8	10	12	14
33	Window beading (10x10x718mm)	12	16	20	24	28
34	Window beading (10x10x370mm)	12	16	20	24	28

No.	Fixing Kit	9x6	9x9	9x12	9x15	9x18
35	Special finial	2	2	2	2	2
36	T-hinge	6	6	6	6	6
37	Press lock	1	1	1	1	1
38	Tower bolts	2	2	2	2	2
39	Turn Button	1	1	1	1	1
40	Metal L-brackets		2	2	4	4
41	75mm screws	3	4	5	6	7
42	63mm screws	20	28	28	36	36
43	50mm screws	43	80	89	102	111
44	32mm screws	103	127	159	183	207
45	22mm screws	5	5	5	5	5
46	19mm roundhead screws	12	12	12	12	12
47	65mm nails	12	14	16	18	20
48	30mm nails	60	68	76	84	92
49	20mm nails	72	96	120	144	168
50	13mm felt nails	146	200	254	308	362



1. Floor

Prepare a level base area large enough for the size of building being built to sit. Join together the 3 9x6 floor panels and the 3 floor panels in each additional kits depending on size of shed. For the 1870mm and 1800mm panels use 6 x 50mm screws per join. For 900mm panels use only 4 x 50mm screws.



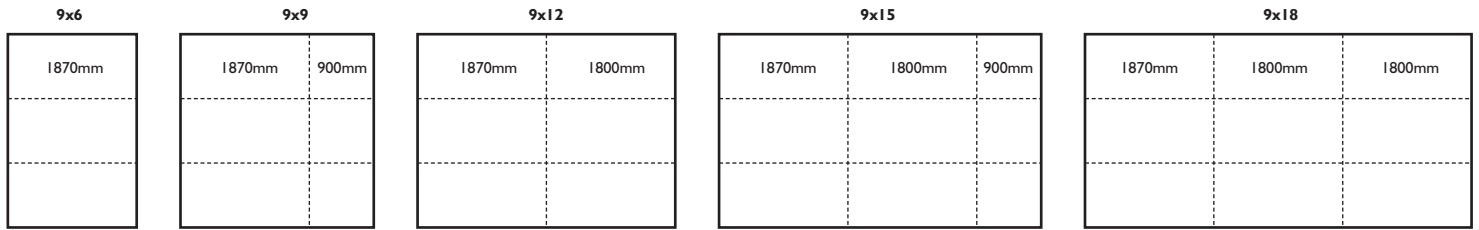
Important note

To "VALIDATE" the guarantee, adequate provision must be made to ensure ground contact is avoided and air is able to circulate underneath the building.

Placing the building on a concrete pad or slab base is acceptable provided that the building is not allowed to sit in pooled water during wet conditions.

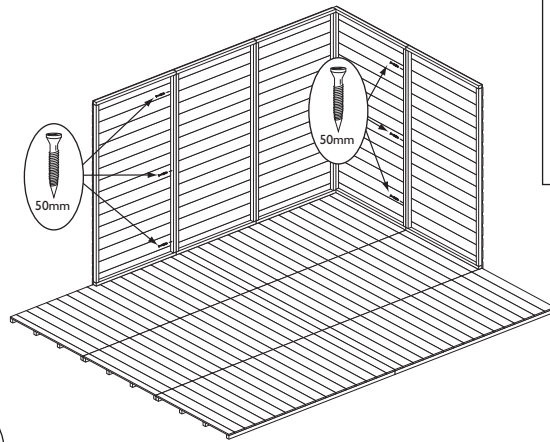
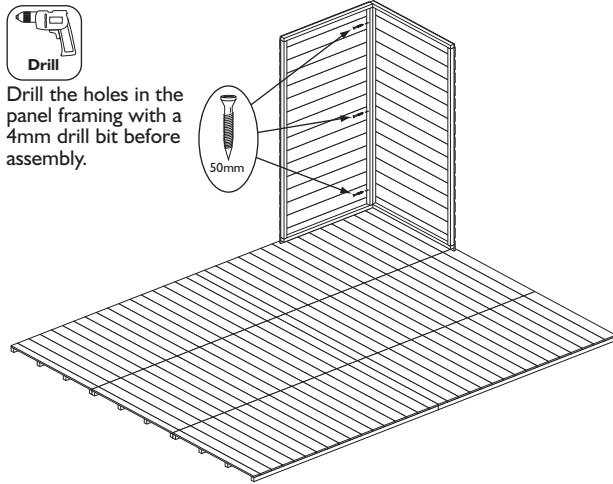
If the building is to sit on soil or grass it **MUST** be erected on pressure treated wooden 50mm x 50mm or similar bearers (**These are not supplied in the kit**).

Rowlinson Garden Products recommend using pressure treated bearers with all buildings on any type of base.



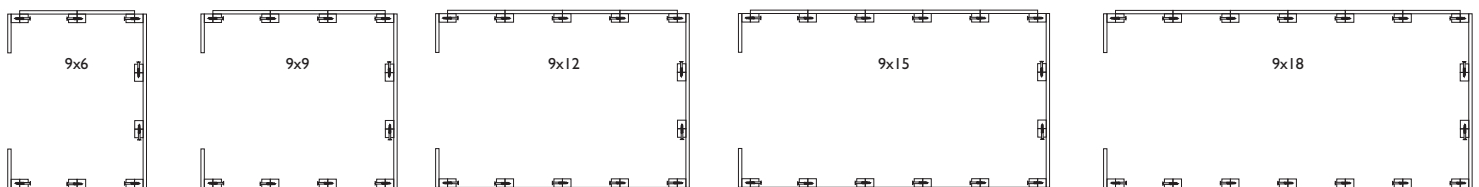
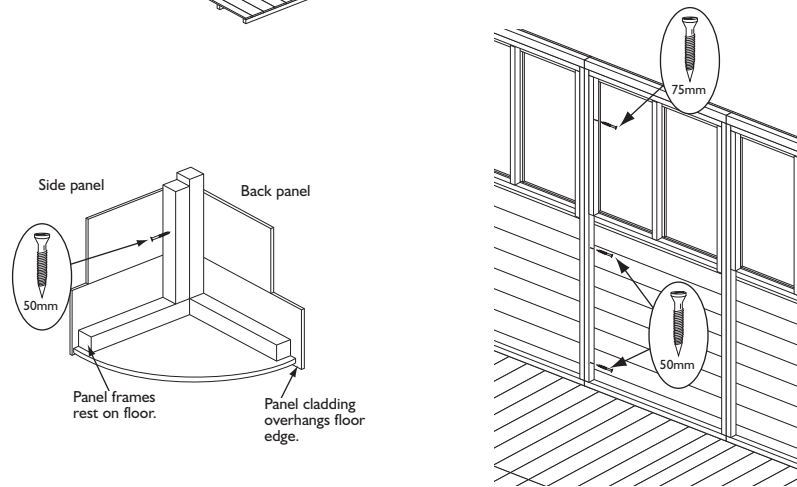
2. Wall panels

Position two plain panels on the floor as shown in the first diagram. Note how the panel frames sit on the floor with the panel cladding overhanging the floor edge. Ensure square and secure using 3 x 50mm screws, screw through the frame of the side panel into the frame of the back panel. On the back wall align a third plain panel next to the first one, secure the panels together, screw through the panel frames using 3 x 50mm screws. Secure all plain panels this way. Window panels are secured in the same way but using 2 x 50mm screws and 1 x 75mm screws as shown below. Finish this section by attaching the front panels to the side panels in the same way as the back panels.



Assembly tip.

The window panels can be placed in any panel position along the sides or back of building.

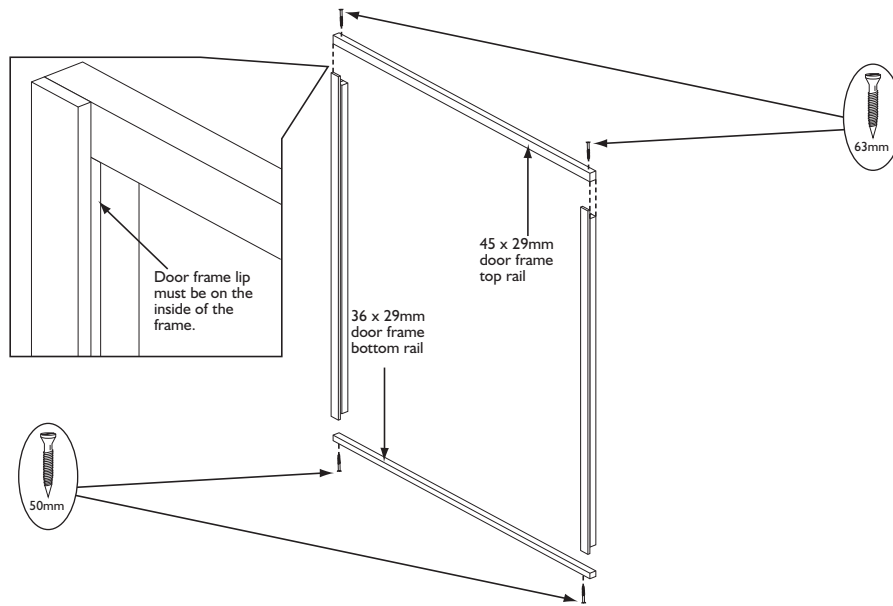


3. Door frame assembly

Flush to each end of the door frame top rail secure the left and right door frame uprights, ensure the door frame lip is on the inside of the frame and secure using 1 x 63mm screw per upright, screw through the top rail into the upright. Position the door frame bottom rail in the same way and secure using 1 x 50mm screw per upright.

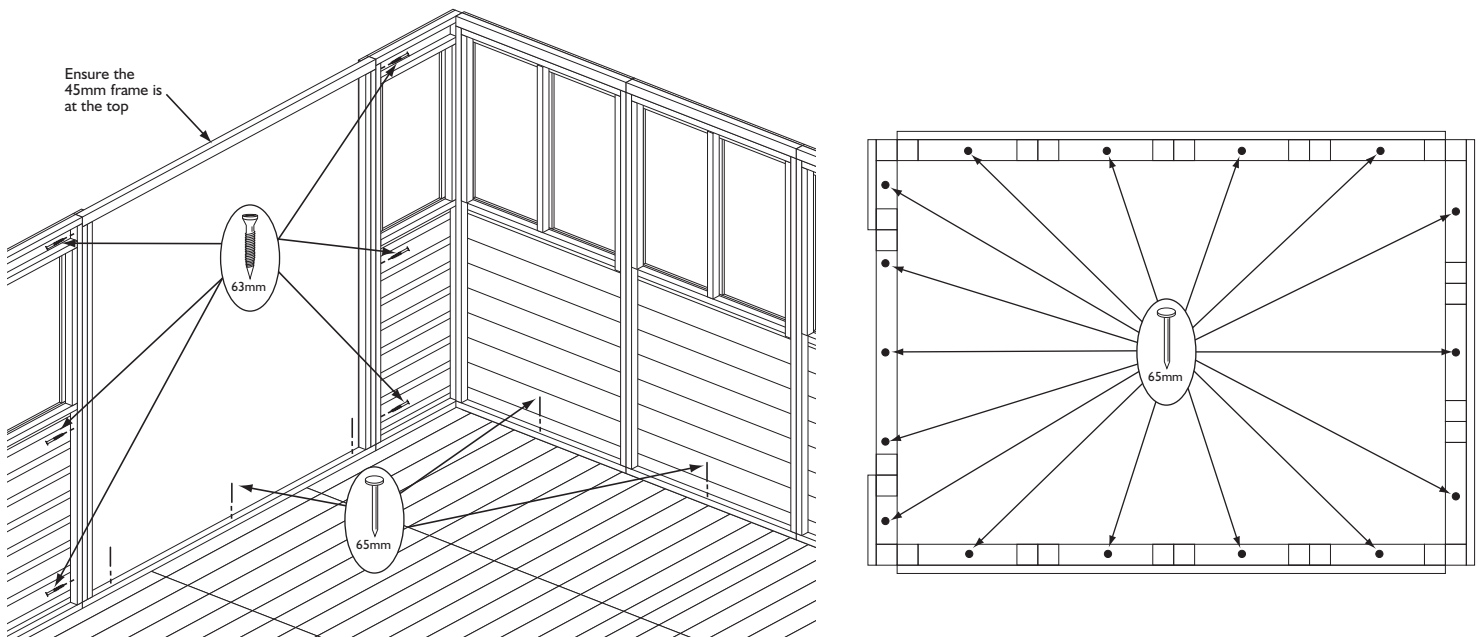


It is recommended to drill pilot holes in the top and bottom rails in the top and bottom rails with a 4mm drill bit before assembly.



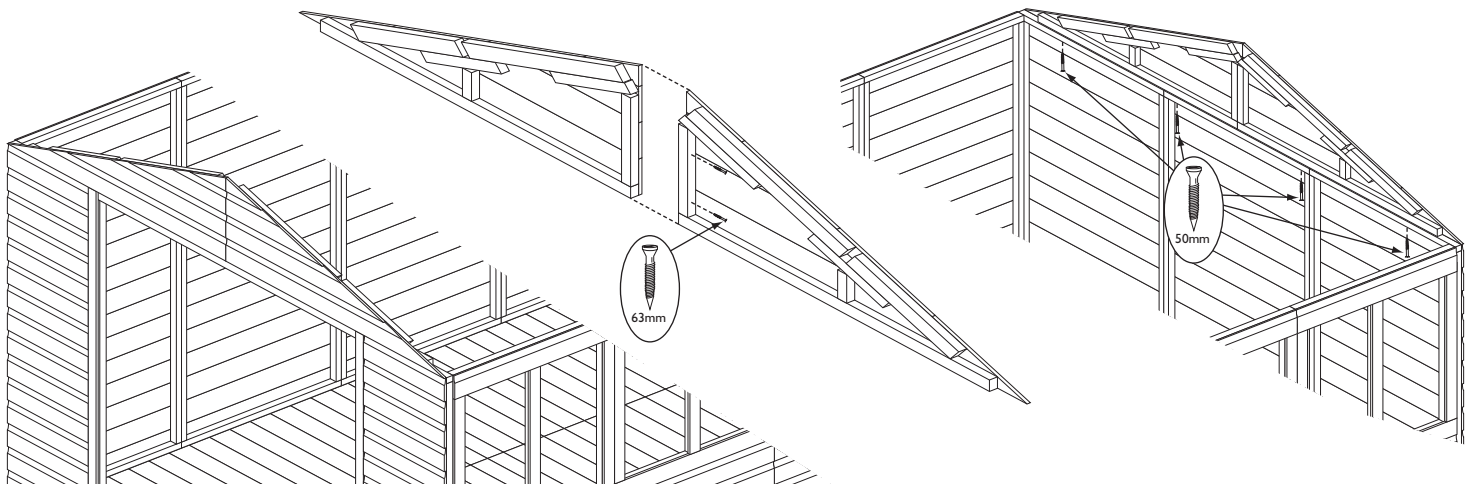
4. Fixing the door frame and securing down the walls

Position the door frame assembly in between the front panels, ensure the 45mm door frame top rail is at the top and the framing is flush with the framing of the two front panels. Secure in place using 3 x 63mm screws per upright, screw through the front panel frame into the door frame uprights. Make sure the shed is sitting square on the floor and secure each panel down with 1 x 65mm nail, nail through the centre of the panel frames into the floor. Secure the door framing to the floor with 3 x 65mm nails as shown.



5. Apex panels

Place two apex panels evenly against each other. Secure together using 2 x 63mm screws, screw through the frame of 1 into the frame of other apex as shown. Lift the apex assembly on top of the back panel, make sure the bottom shi lap board of the apex panel fits correctly into the top shi lap board of the back panels. Use 4 x 50mm screws to secure, screw up through the top frame of the back panel into the bottom frame of the apex panel. Create a second apex assembly and attach to the front of the building in the same way.

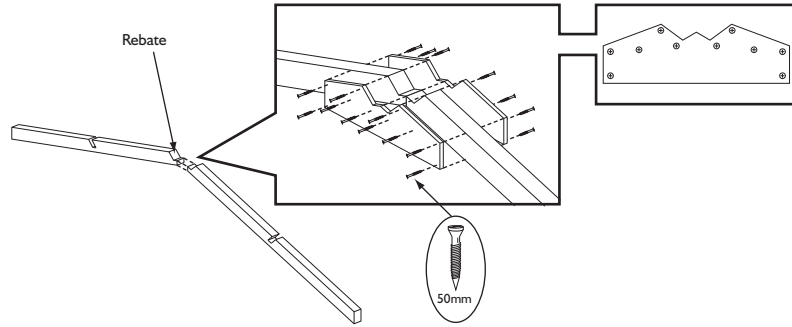


6. Purlin supports (9x9, 9x12, 9x15, 9x18 buildings only)

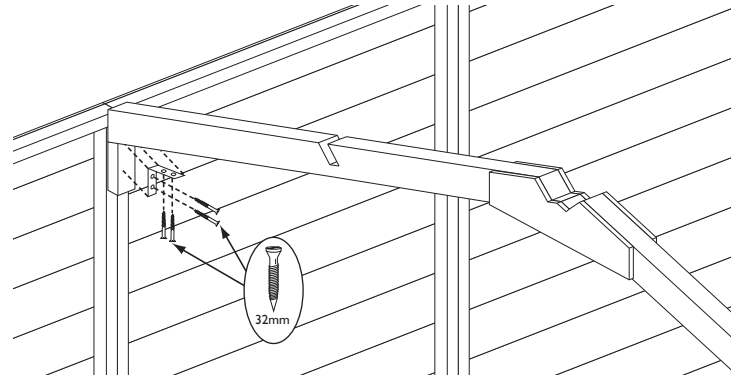
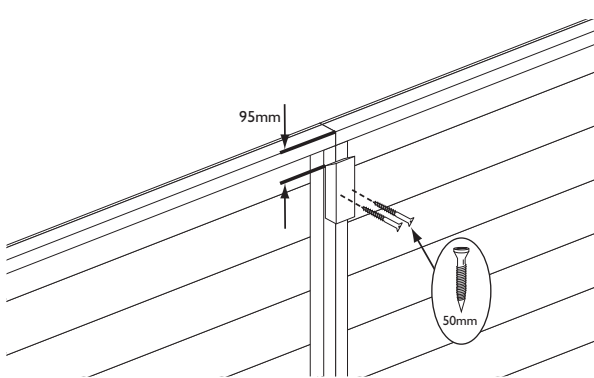
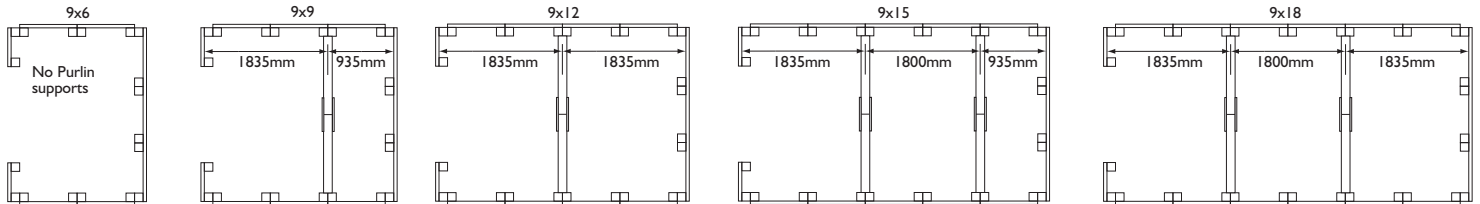
Position the rebated ends of the two centre purlin supports together, secure a gusset to each side using 10 x 50mm screws per gusset as shown. Use the purlin support position diagrams to determine the position of the purlins for the size of building being built. For each purlin support block measure 95mm from the top of the wall panel and secure a support block using 2 x 50mm screws. With the blocks in place rest the assembled A-frame on the support blocks and secure each end using a metal L-bracket and 4 x 32mm screws.

Note.

There are no purlins supports required for the 9x6 building.



Purlin support positions



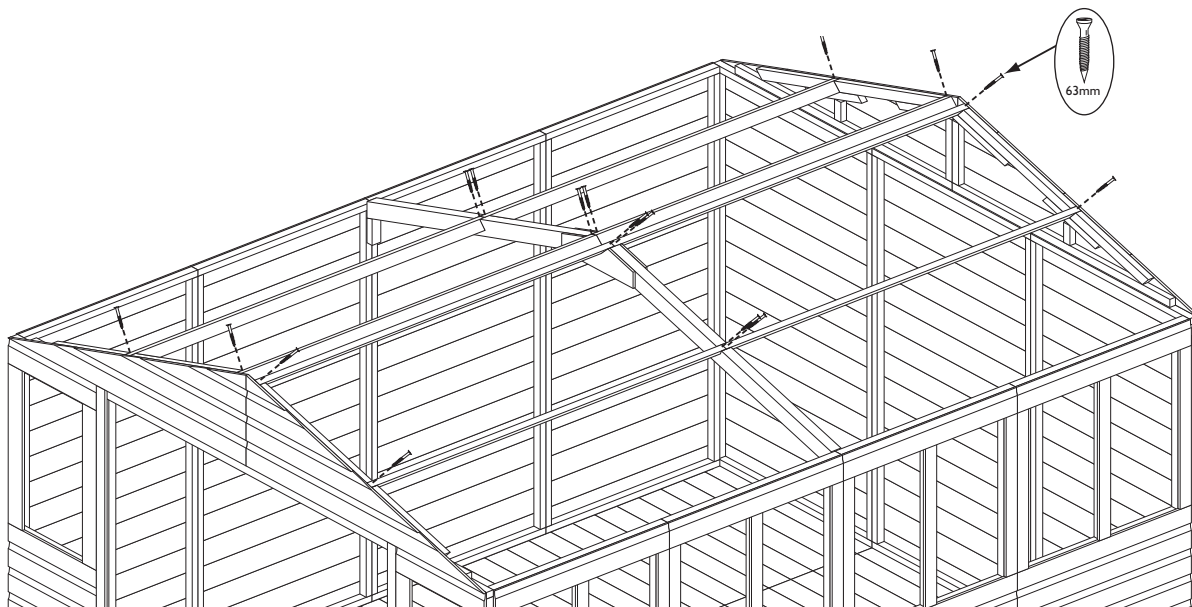
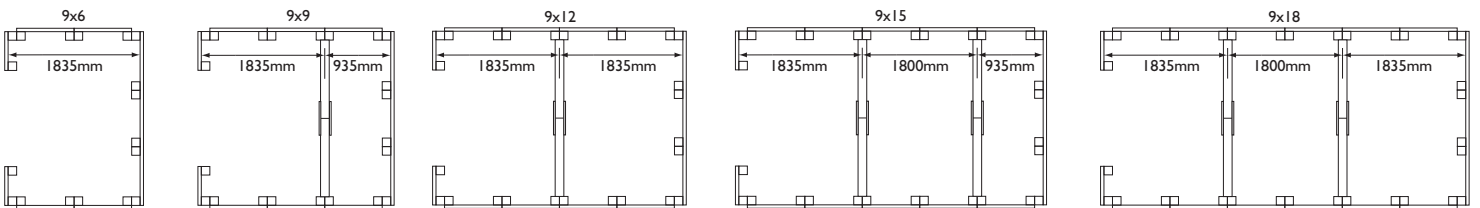
7. Purlins

Slot the roof purlins into the rebates on the apex panels and the purlin supports, secure each purlin with 1 x 63mm screws at each end.

Important note 9x15 and 9x18 buildings only

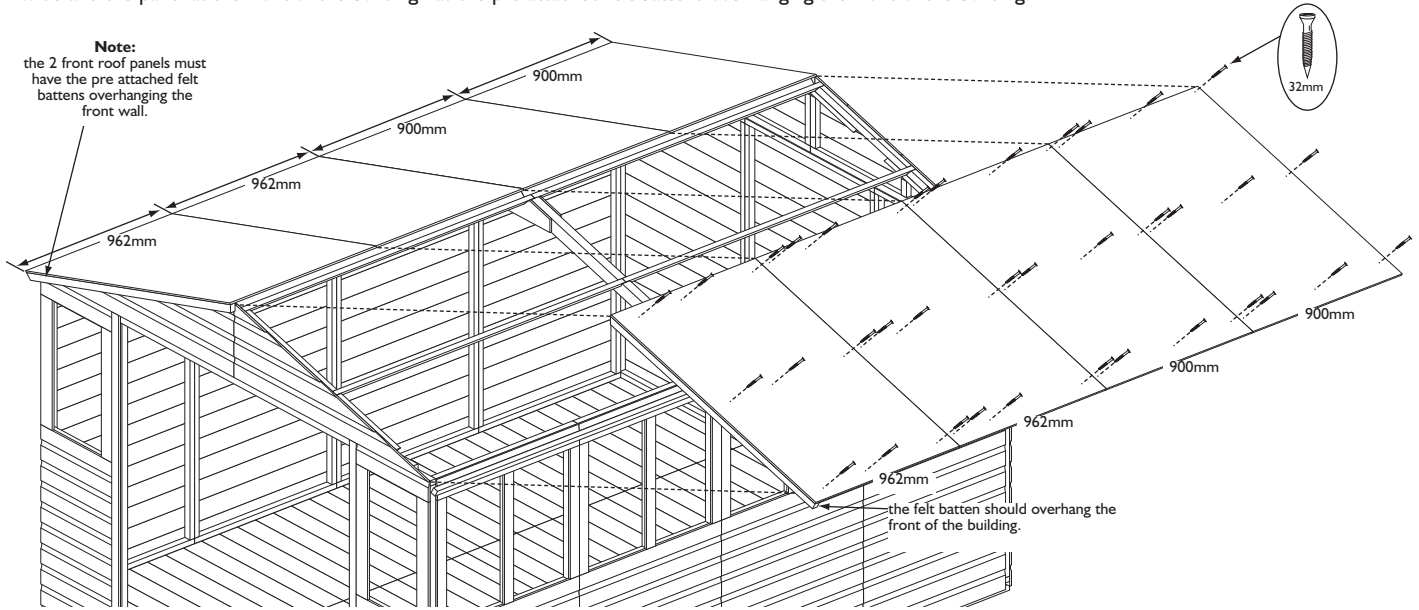
In these two sheds four of the 1835mm roof purlins must be cut to a length of 1800mm prior to attaching them to the shed

Purlins length positions



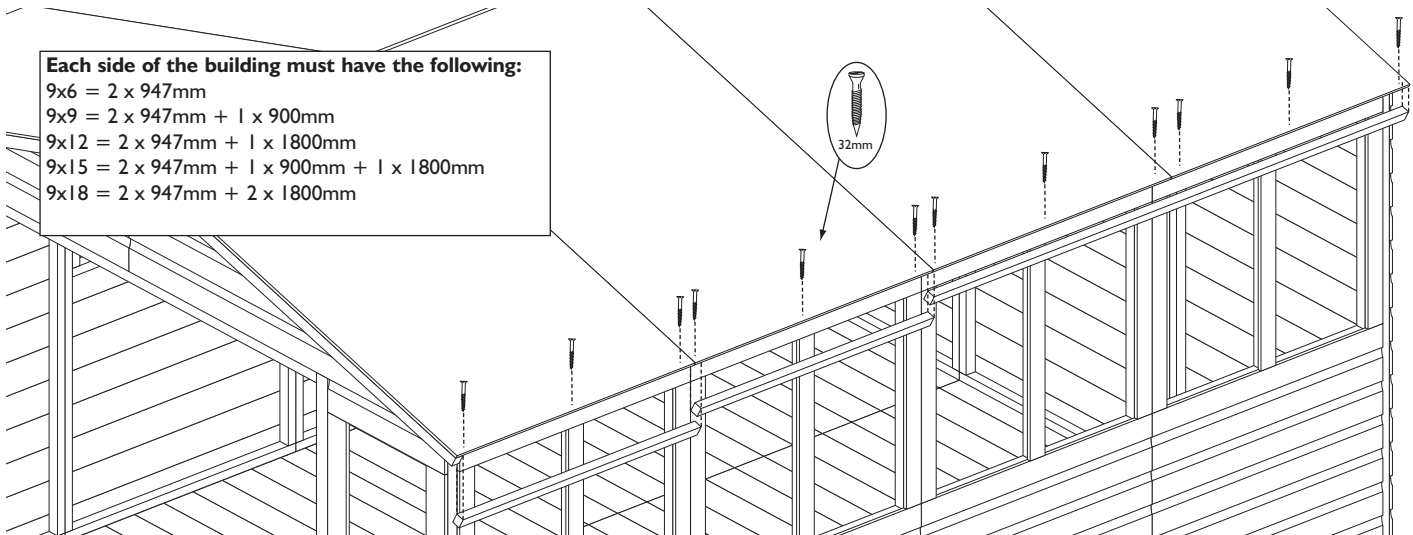
8. Roof panels

For each side of the roof start at the back of the building with a 900mm wide roof panel. Position the panel onto the purlins, ensure the panel is flush to the end of the back wall and the top edge is at the apex, secure in place using 9 x 32mm screws. Screw through the panel into the purlins and top of the side walls as shown. Working towards the door end continue adding 900mm wide roof panels and secure in the same way. Continue to add roof panels ensuring that the second to last roof panels are 962mm wide and the panel at the front of the building has the pre attached felt battens overhanging the front of the building.



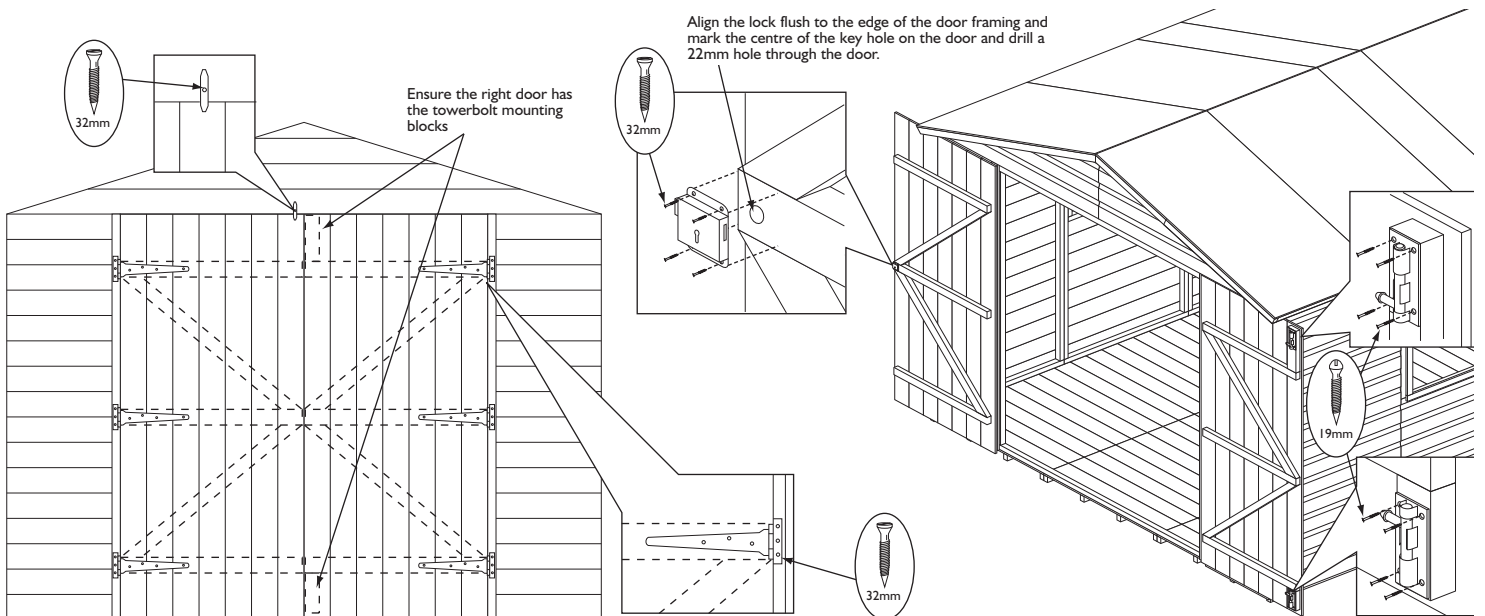
9. Felt battens

Position the felt battens under the roof overhang, align them flush to the edge of the roof panels and secure using 3 x 32mm screws for each of the 947mm and 900mm felt battens, and 6 x 32mm screws for each of the 1800mm battens.



10. Doors

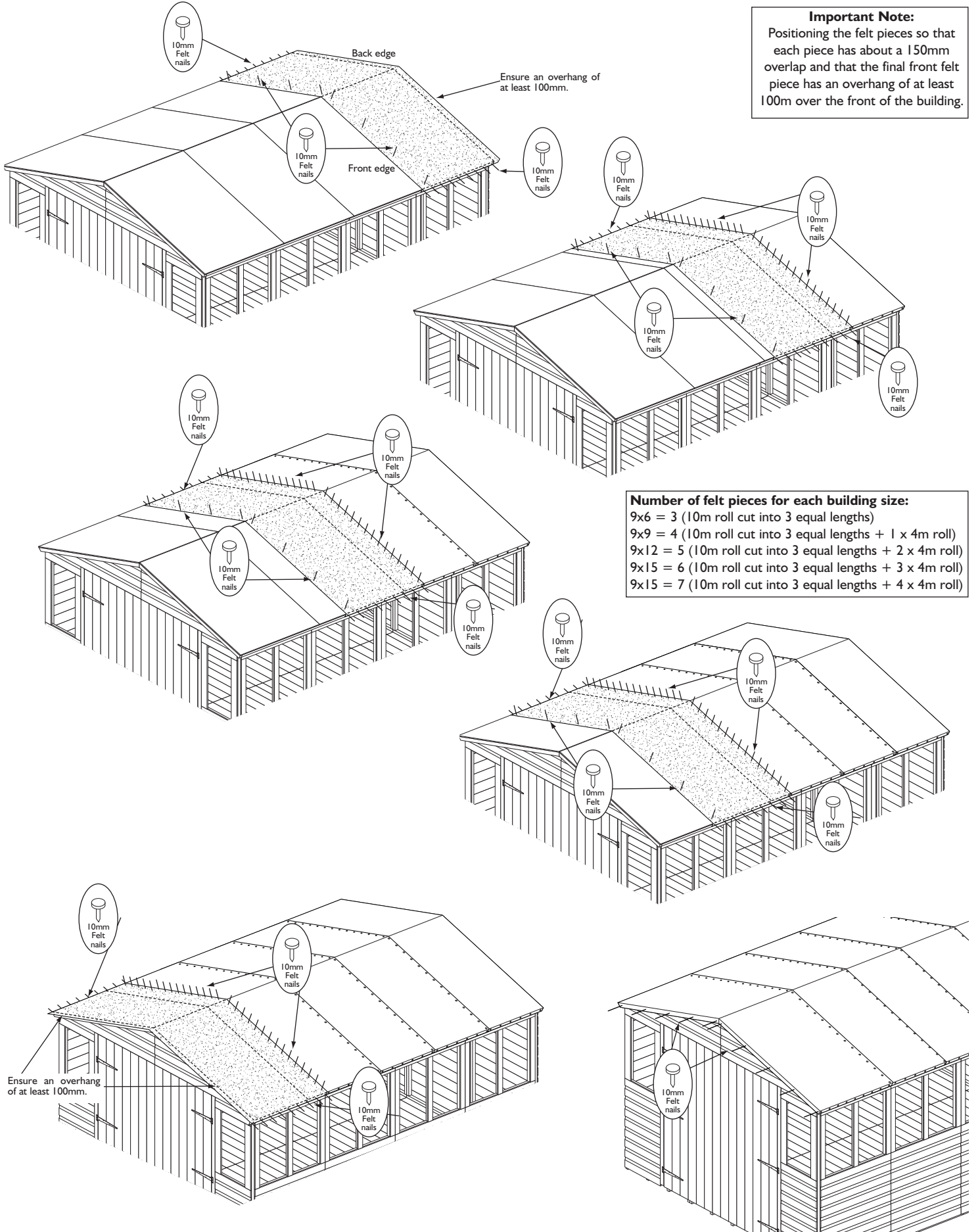
Position the doors in the opening and secure each door in place with three T-hinges and 7 x 32mm screws per hinge as shown below. Fit the turn button to the door frame using 1 x 32mm screw above the left door. Align the press lock flush to the end of the door framing on the inside of the left-hand door as shown, mark the centre of the key hole and drill a 22mm hole through the door. Re-align the lock and secure in place using 4 x 32mm screws. On the inside of the right-hand door secure the tower bolts to the mounting blocks using 4 x 19mm round head screws per bolt.



11. Roofing felt

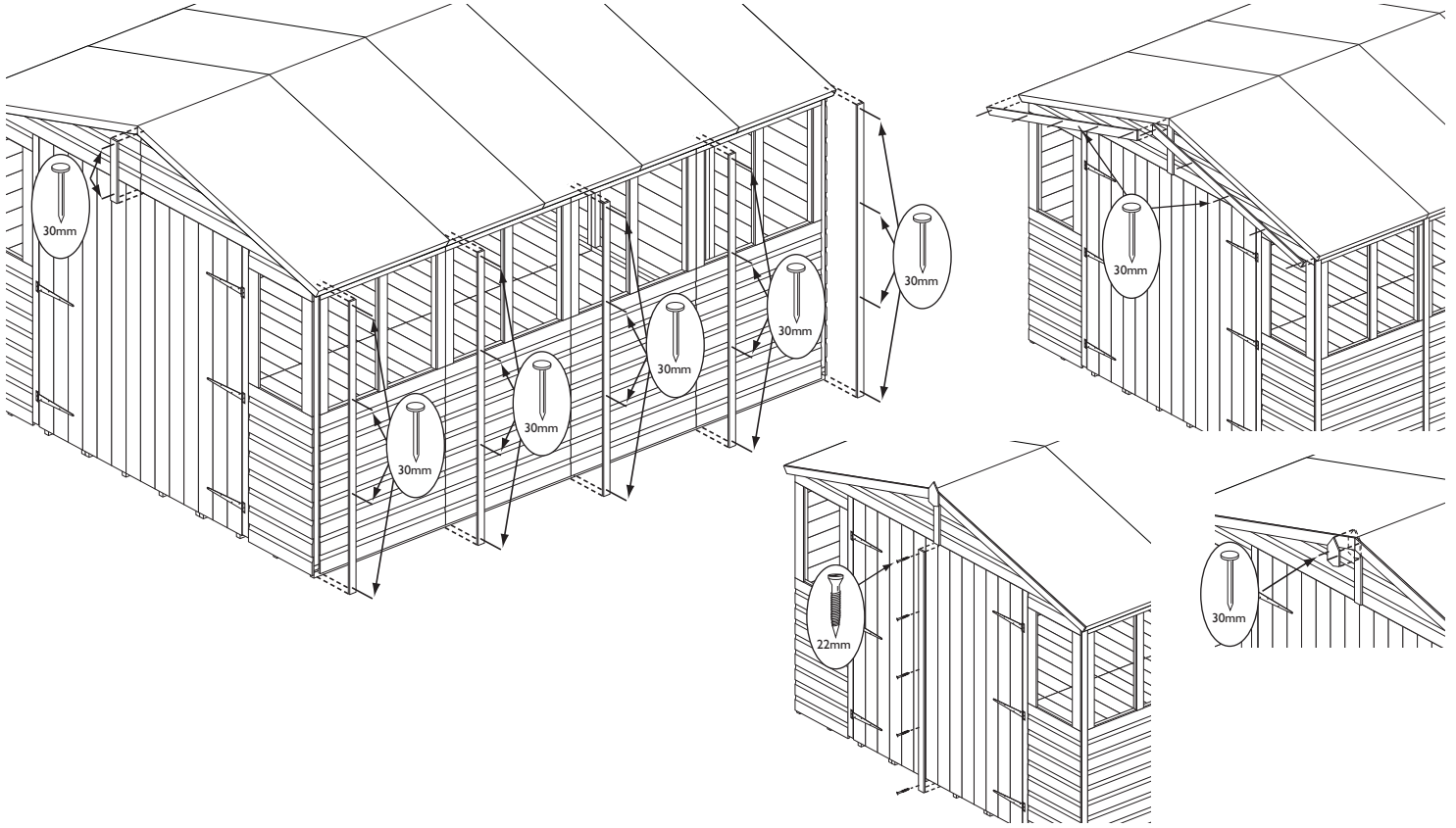
Unroll the 10m felt roll and cut into three equal lengths. Position a piece of felt over the top of the roof as shown. Allow an overhang at the back of about 100mm. At one side of the building align the end of the felt to the bottom edge of the felt batten, using 9 x 10mm felt nails evenly spaced, secure the felt to the felt batten. Tension the felt over the roof and secure in the same way to the felt batten on the other side. To the front edge of the felt secure using 8 x 10mm felt nails evenly spaced. Moving towards the front of the building add a second piece of felt, ensure a good overlap with the first. At one side of the building align the end of the felt to the bottom edge of the felt batten, using 9 x 10mm felt nails evenly spaced, secure the felt to the felt batten. Tension the felt over the roof and secure in the same way to the felt batten on the other side. Along the back edge of the felt secure using 28 x 10mm felt nails evenly spaced, secure the front edge using 8 x 10mm felt nails. Continue to add the remaining felt pieces in the same way. On the final front piece ensure an overhang at the front of the building of at least 100mm.

With all the felt in place dress down the felt at the front and back and secure to the felt battens using 10 x 10mm felt nails at each end. when all felt pieces are secured in position trim off any excess felt.



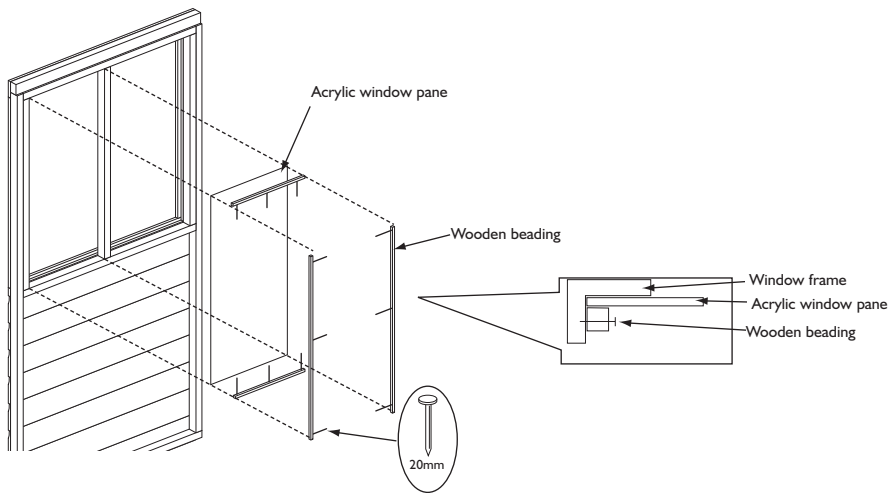
12. Coverstrips, bargeboards and finials

Fit a coverstrip into each corner, attach using 4 x 30mm nails per strip. The remaining eight coverstrips are positioned over each joint between two wall panels, attach each strip with 4 x 30mm nails. Attach the apex coverstrips over the joints between each apex panel using 2 x 30mm nails. Secure the bargeboards to the front of the roof so that the top edge is flush with the roof line and the two boards meet evenly at the apex secure using 5 x 30mm nails per board. Repeat for the bargeboards on the back. On the front attach a finial centrally over the joint between the bargeboards use 2 x 30mm nails. Repeat for the finial on the back. With the doors shut, position a coverstrip over the gap between the doors, have the strip overlap both doors equally. Secure only to the left-hand door using 5 x 22mm screws.



13. Glazing

It is recommended that a waterproof sealant is applied around the edge of the glazing before fitting. From the inside of the building fit the acrylic windows into the window frame, fix each window pane in place with four window beading strips secured in place using 3 x 20mm nails per beading strip.



Important information

Shiplap buildings come ready stained but this is only a preparatory treatment. To **VALIDATE** the guarantee, the building must be properly treated with a recognised external wood preserver **WITHIN 3 MONTHS** of assembly and **RE-TREATED ANNUALLY** thereafter.

Adequate provision must be made to ensure ground contact is avoided and air is able to circulate underneath the building. Placing the building on a concrete pad or slab base is acceptable provided that the building is not allowed to sit in pooled water during wet conditions. If the building is to sit on soil or grass it **MUST** be erected on pressure treated wooden 50mm x 50mm or similar bearers (**These are not supplied in the kit**). Rowlinson Garden Products recommend using pressure treated bearers with all buildings on any type of base.

Timber Information.

As timber is a natural material, there are certain weather conditions that may affect the materials properties. In times of excessive dry spells the material may lose some of its internal moisture causing a certain degree of shrinkage on a panel and in periods of excessive rain there will be a certain amount of swelling throughout the wooden panels. This process can not be avoided. If you have problems with certain boards shrinking in dry spells try to decrease the amount of direct sunlight on the building or the amount of air passing over the building. During hot spells spray water directly onto the panels with the aid of a garden hose.

If in doubt of any aspect regarding the assembly, use or safety of your building please contact us :

Help Line (Normal Office Hours) 01829 261121

ROWLINSON GARDEN PRODUCTS LIMITED
Green Lane
Wardle Nr.Nantwich
Cheshire
CW5 6BN

We constantly improve the quality of our products, occasionally the components may differ from the components shown and are only correct at time of printing. We reserve the right to change the specification of our products without prior notice.

2008 © Rowlinson Garden Products Ltd