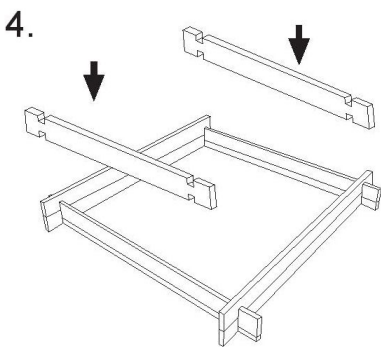
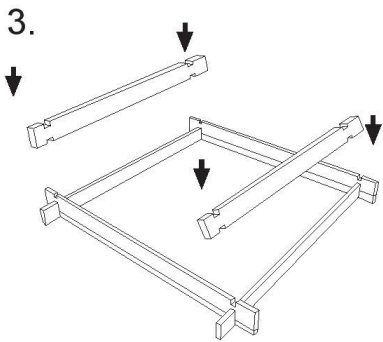
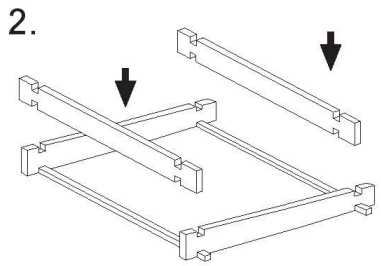
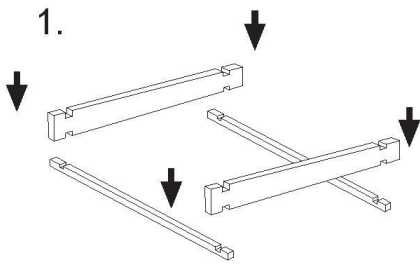




Grow Bed Assembly Instructions

A.  x 8

C.  x 4



5.

Add two more side panels (B) follow step 3 and then add the last two batons (D) to completely assemble the grow bed.

