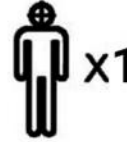




# Assembly Instructions



**Congratulations on your purchase of your Lacewing Wheelie Bin Store !**

**Please read all instructions thoroughly before starting assembly .**

## Before Assembly

---

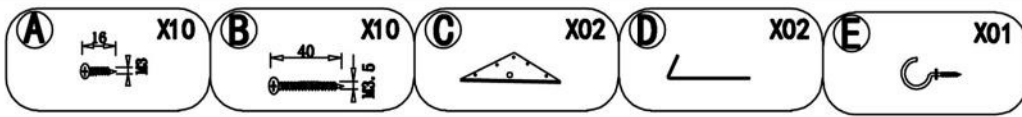
1. Before assembling, please check for damaged parts. Any part that appears damaged should be carefully checked to determine that it can be assembled properly and perform its function.
2. Please contact our Customer Service department on 0118 9035210 to notify us of any faults or damaged pieces and request a replacement to be sent. Photos evidence maybe required.

## Timber , Safety and Care

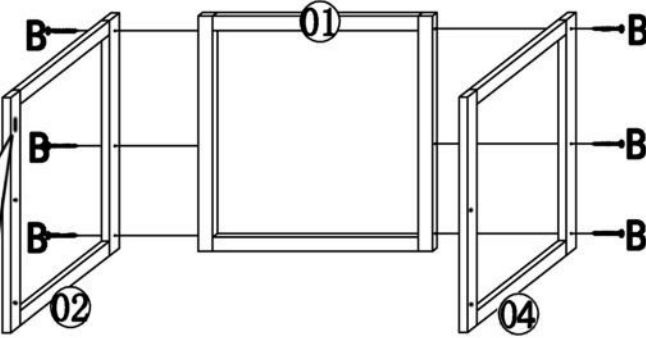
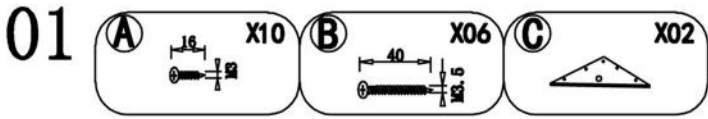
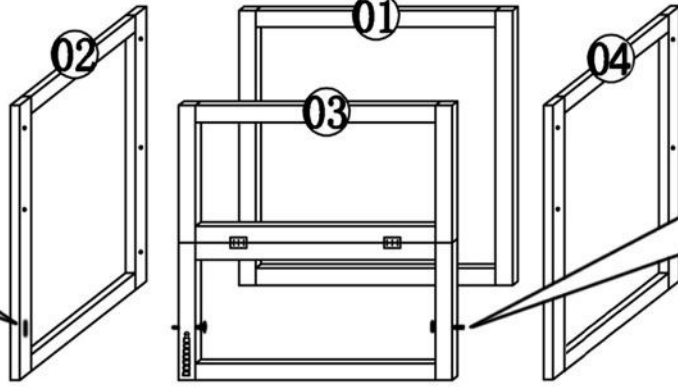
---

Our product is manufactured from premium timber with great care in selecting machining and treating the timber before it is sold to you. Bear in mind that timber is a natural product and may experience changes throughout the course of its life. It may:

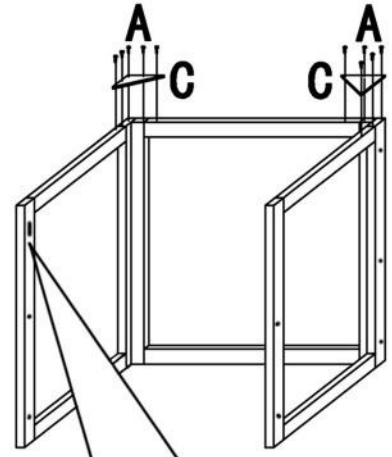
1. Develop openings (gaps, slits, apertures , cracks) along the line of the grain. This occurs due to moisture content between internal and outer surfaces of the timber. It is totally acceptable and will not affect the integral strength, life or guarantee of the product.
2. Over time the wood will fade in colour due to UV bleaching from sunlight, however this can easily be prevented with a yearly coat of your preferred wood treatment / wood stain.
3. Warp and distort its shape. Any distortion will be slight and will not affect the safety or enjoyment of this product.
4. This unit should not be installed over concrete , asphalt , or any other hard surface .
5. Prevent weathering by applying protective barriers to your timber via proprietary products to maintain its quality.



This is the 1x2 cm groove for latch



Pay attention to the position of the grooves in this step



Pay attention to the position of the grooves when installing C

