

Beehive Composter Assembly instructions



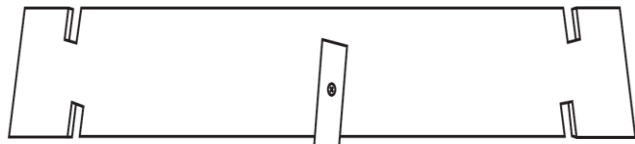
A x 2



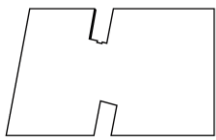
B x 1



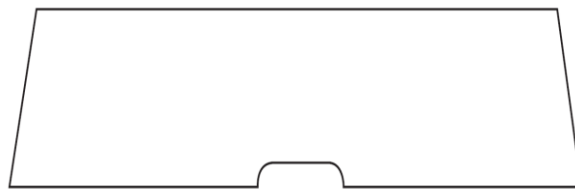
C x 25



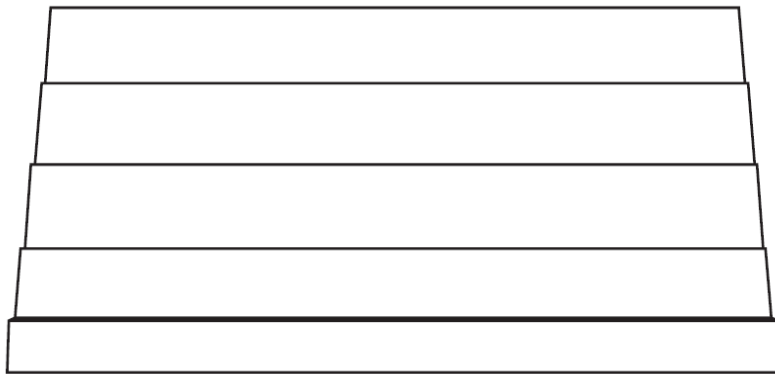
D x 1



E x 2

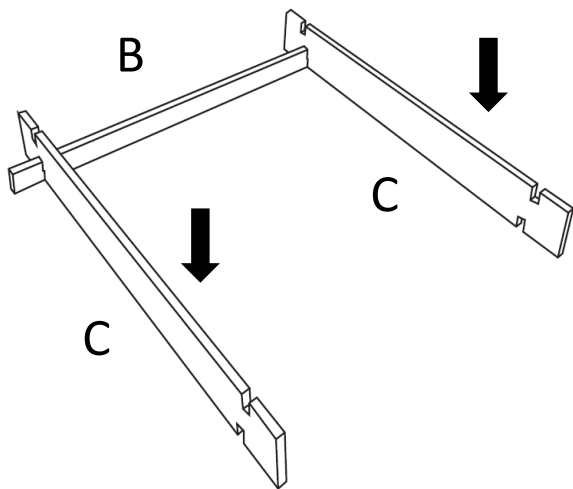


F x 1

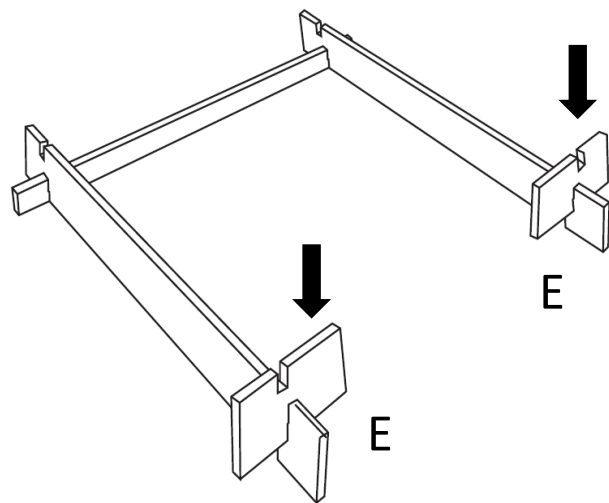


G x 2

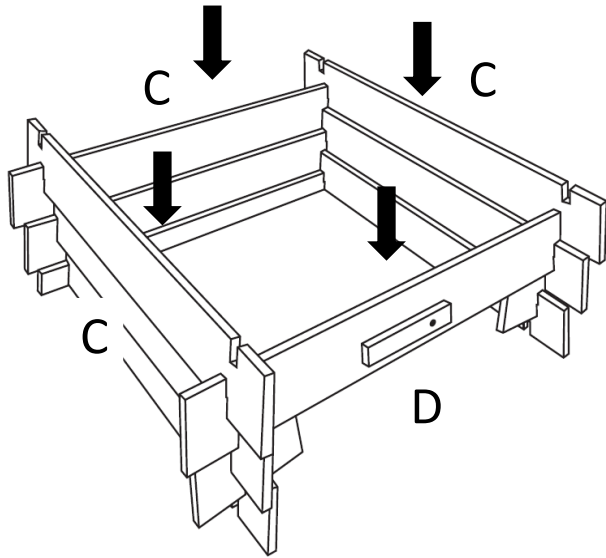
Step 1.



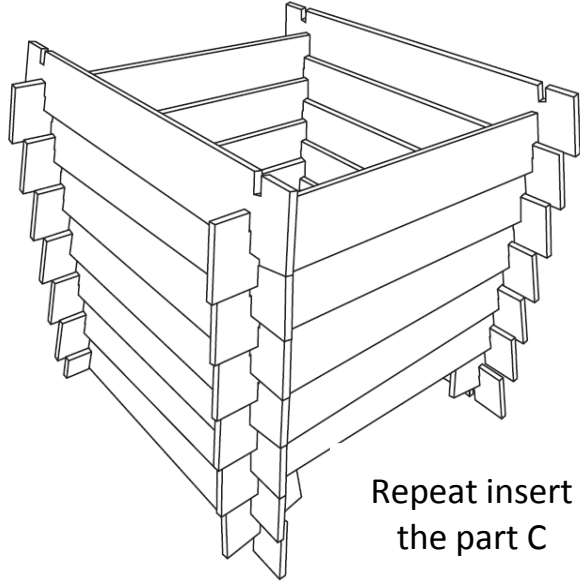
Step 2.



Step 3.

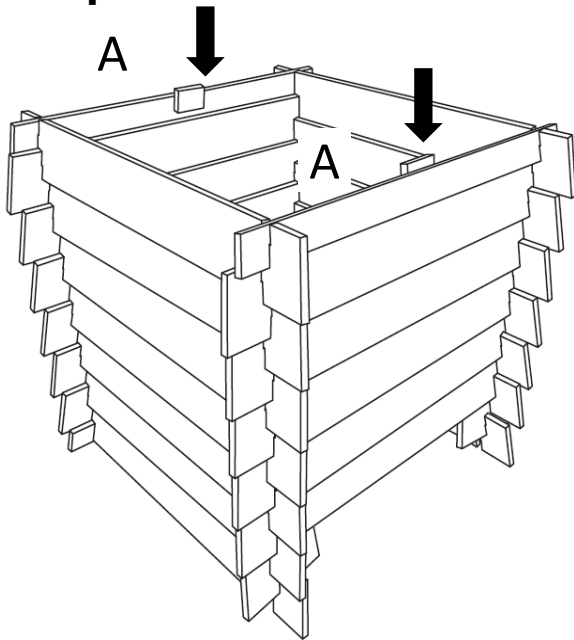


Step 4.



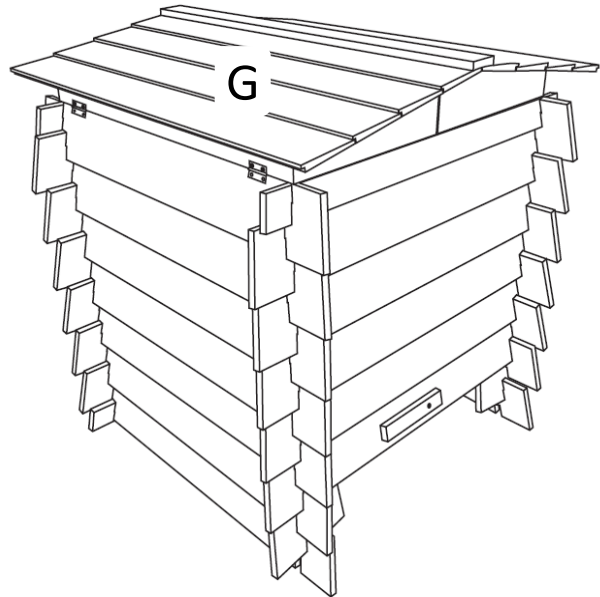
Repeat insert
the part C

Step 5.



Step 6.

Screw the Roof
onto the body



Step 7.

