

A suitable concrete base is required to bed the garden fireplace onto.

All the pumice components to be glued with lip glue using the application bags provided. Mix the lip glue as per instructions on the bag and fill application bag. Cut a 15-20mm piece off the end of the bag to create 15-20mm beads of lip glue when squeezed, apply to the pumice block surface as per sample picture. Use a spirit level to check and level as you go. The finished lip glue joints should be 2-3mm thick.

The external surface of the fireplace can be coated with the enclosed render mix supplied and or painted with masonry paint.



Measure in mm

Subject: 950 Garden Fireplace				
SCHIEDEL ISOKERN TEL (01202) 861650 FAX (01202) 861632 www.schiedel.co.uk	Area:	Scale:	Date:	Drawing No:
		dm ²		05/04/19
	Mass:	Tol.:	Rev.:	Drawn By:
		± 3 mm	1	T Oliver
Material: Pumice				

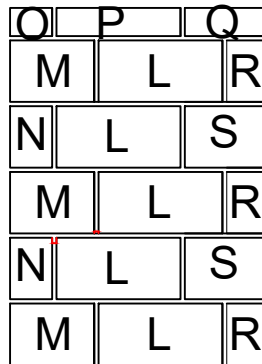
950 Garden Fireplace
Installation Details

FireBricks

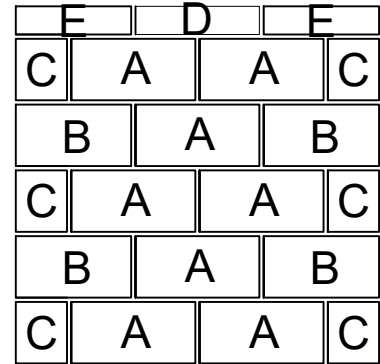
- A 230 X 114 X 50MM
- B 214 X 114 X 50MM
- C 95 X 114 X 50MM
- D 230 X 52 X 50MM
- E 214 X 52 X 50
- F 220 X 114 X 50MM
- G 71 X 114 X 50
- H 160 X 114 X 50MM
- I 15 X 114 X 50MM
- J 230 X 20 X 25MM
- K 102 X 20 X 50MM
- L 230 X 114 X 25MM
- M 156 X 114 X 25MM
- N 78 X 114 X 25MM
- O 78 X 52 X 25MM
- P 230 X 52 X 25MM
- Q 156 X 52 X 25MM
- R 78 X 114 X 25MM
- S 156 X 114 X 25MM

8mm Mortar Joints to be used

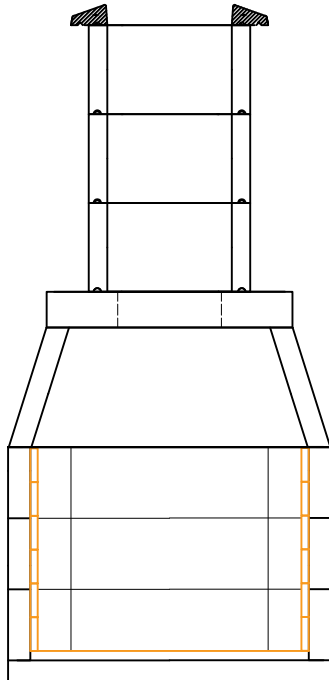
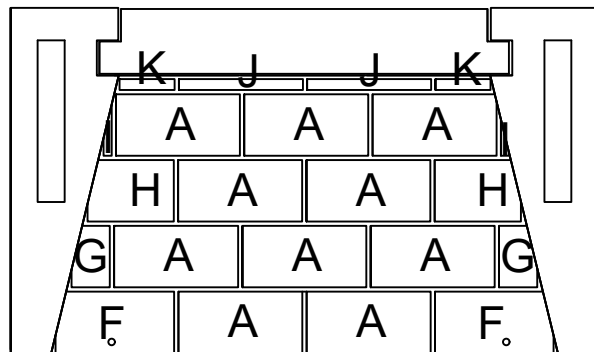
Side



Back View



Base View



1200 model shown

Measure in mm

Garden Fire 950 Firebrick Plan

Subject: Garden Fire 950 Plan

Base Firebricks to be laid first, followed by the back then the sides. Please allow 72 Hours to dry before using.

	Area:	Scale:	Date:	Drawing No:
	Mass:	Tol.:	Rev.:	Drawn By:
TEL (01202) 861650 FAX (01202) 861632 www.schiedel.co.uk	dm ²	± 3 mm	03/05/19	G950 Plan
Material:	Pumice			T Oliver