

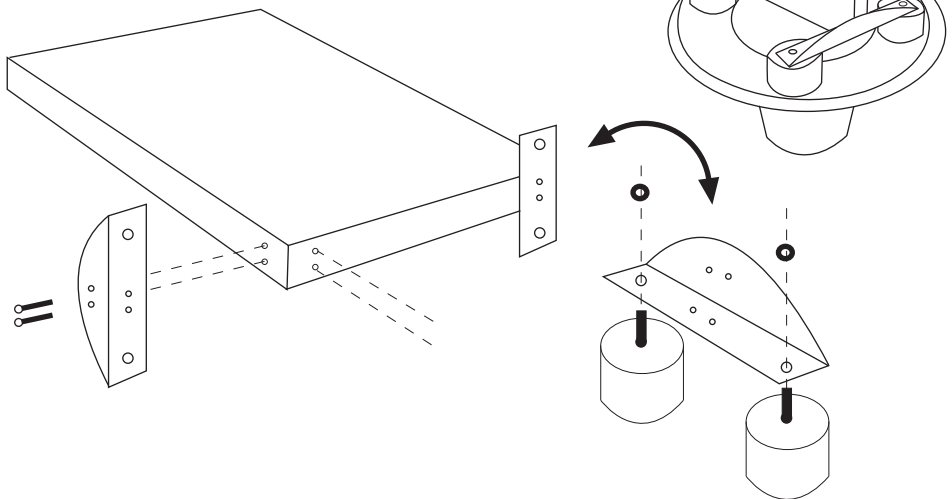


Primrose®
LONDON

Curved Wall- Vertical Wave Double Sided Instruction (Rectangular/circular Stone feet)

Contents

- 1 x Curved Wall
- 1 x Hose
- 1 x Pump
- 1 x Flow Adjuster
- 1 x Plastic Lid
- 1 x Hose Clamp
- 1 x Pebble Pool Reservoir with Lid
- 2 x Steel feet
- 4 x Stone feet
- 4 x Metal Rod
- 8 x Bolts



Installation

1. Attach stone feet on the steel feet then attach two steel feet onto the bottom part of curved wall.
2. Place pump/hose at the bottom of pebble pool reservoir then place the lid.
3. Position the water feature central on top of reservoir. Connect the hose from pump and attach onto the rear side of water feature.

Cross Section

4. Fill the reservoir up with water.
5. Place pebbles (not included) over the reservoir to cover pump, stone feet etc..

